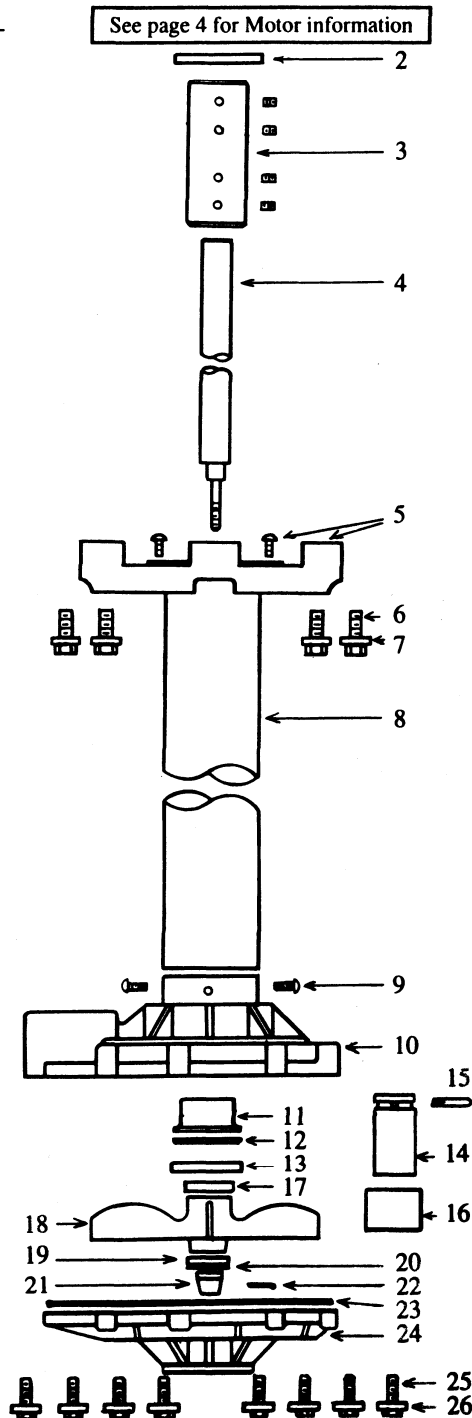


LV SERIES

LVM SERIES PUMPS WITH ELECTRIC MOTORS IN (B) LENGTHS AS SHOWN BELOW

ITEM	DESCRIPTION	8-5/8"	10-7/8"	12-1/2"
1	Motor (see page 4)			
2	Slinger	744-11817	744-11817	744-11817
3	Coupling (316 Stainless Steel)	573-12029-88	573-12029-88	573-12029-88
4	Shaft (316 Stainless Steel)	555-20861-88	555-20686-88	555-20690-88
5	Vapor Diffuser/Motor Adaptor with screws	532-20906-31	532-20906-31	532-20906-31
6	3 Screws - pump to column (316 S.S.)	752-02473-88	752-02473-88	752-02473-88
7	Lockwashers	754-00564-88	754-00564-88	754-00564-88
8	Pump Column	438-20863-88	438-20687-88	438-20691-88
9	4 Screws	751-04435-81	751-04435-81	751-04435-81
10	Pump Housing	507-21230-71	507-21230-71	507-21230-71
11	Nylon Insert 3/4"ID	573-19213	573-19213	573-19213
12	TEFLON Washer	660-22498	660-22498	660-22498
13	Slinger	573-19212	573-19212	573-19212
17	Upper Impeller Ring	582-19182-88	582-19182-88	582-19182-88
18	Impeller, 1/6hp, 1725RPM	525-15868-74	525-15868-74	525-15868-74
18	Impeller, 1/3hp, 3450RPM	525-15898-74	525-15898-74	525-15898-74
18	Impeller, 1/2hp, 3450RPM	525-15899-74	525-15899-74	525-15899-74
18	Impeller, 3/4hp, 3450RPM	525-15866-74	525-15866-74	525-15866-74
18	Impeller, 1hp, 3450RPM	525-15868-74	525-15868-74	525-15868-74
19	Lower Impeller Ring	582-15652-88	582-15652-88	582-15652-88
20	Spacer Washers (as required)	754-03966-88	754-03966-88	754-03966-88
21	Castle Nut	543-16580-74	543-16580-74	543-16580-74
22	Cotter Pin	756-00893-81	756-00893-81	756-00893-81
23	'O' Ring (Gasket)	745-04340	745-04340	745-04340
24	Volute Cover	526-16733-71	526-16733-71	526-16733-71
25	8 Volute Cover Screws	751-07278-88	751-07278-88	751-07278-88
26	8 Flat Washers	754-04289-88	754-04289-88	754-04289-88

ITEM	DESCRIPTION	18-1/2"	24"	36"
1	Motor (see page 4)			
2	Slinger	744-11817	744-11817	744-11817
3	Coupling (316 Stainless Steel)	573-12029-88	573-12029-88	573-12029-88
4	Shaft (316 Stainless Steel)	555-20915-88	555-20693-88	555-20699-88
5	Vapor Diffuser/Motor Adaptor with screws	532-20906-31	532-20906-31	532-20906-31
6	3 Screws - pump to column (316 S.S.)	752-02473-88	752-02473-88	752-02473-88
7	Lock Washers	754-00564-88	754-00564-88	754-00564-88
8	Pump Column	438-20917-88	438-20694-88	438-20700-88
9	4 Screws	751-04435-81	751-04435-81	751-04435-81
10	Pump Housing	507-21230-71	507-21230-71	507-21230-71
14	Shaft Sleeve	571-16982-88	571-16982-88	571-16982-88
15	Sleeve Retainer Ring	765-16983-88	765-16983-88	765-16983-88
16	Bushing	760-04372	760-04372	760-04372
17	Upper Impeller Ring	582-19182-88	582-19182-88	582-19182-88
18	Impeller, 1/6hp, 1725RPM	525-15868-74	525-15868-74	525-15868-74
18	Impeller, 1/3hp, 3450RPM	525-15898-74	525-15898-74	525-15898-74
18	Impeller, 1/2hp, 3450RPM	525-15899-74	525-15899-74	525-15899-74
18	Impeller, 3/4hp, 3450RPM	525-15866-74	525-15866-74	525-15866-74
18	Impeller, 1hp, 3450RPM	525-15868-74	525-15868-74	525-15868-74
19	Lower Impeller Ring	582-15652-88	582-15652-88	582-15652-88
20	Spacer Washers (as required)	754-03966-88	754-03966-88	754-03966-88
21	Castle Nut	543-16580-74	543-16580-74	543-16580-74
22	Cotter Pin	756-00893-81	756-00893-81	756-00893-81
23	'O' Ring (Gasket)	745-04340	745-04340	745-04340
24	Volute Cover	526-16733-71	526-16733-71	526-16733-71
25	8 Volute Cover Screws	751-07278-88	751-07278-88	751-07278-88
26	8 Flat Washers	754-04289-88	754-04289-88	754-04289-88

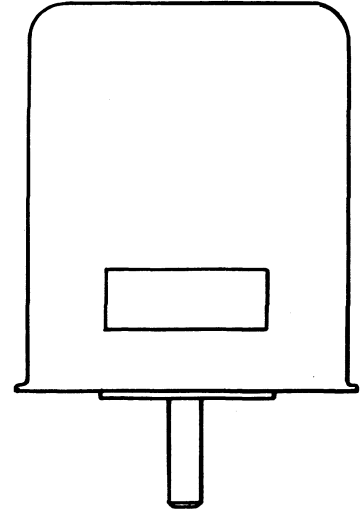


Note: Plastic parts, impellers, castle nut and volute parts are made of GM2GY (Celcon). Also available in Polypropylene on special order. Use same number with suffix 76 instead of 71.

LV SERIES

ELECTRIC MOTORS

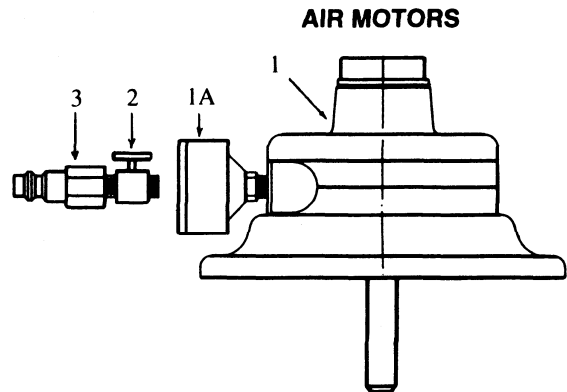
NUMBER	HP	RPM	TYPE	SHAFT LENGTH	SHAFT DIA	VOLTAGE	HZ	PHASE	SUFFIX
323-04033	1/6	1725	TENV (w/ ft)	2-1/8	5/8	115	60	1	A
323-04037	1/6	1725	TENV (w/ ft)	2-1/8	5/8	230/460	60/50	3	F
323-04076	1/6	1725	TENV	2-1/8	5/8	115	60	1	A
323-05572	1/6	1725	TENV (w/ tol)	2-1/8	5/8	230	60	1	B
323-05687	1/6	1725	TENV	2-1/8	5/8	230/460	60/50	3	F
335-04075	1/3	3450	TENV	2-1/8	5/8	230/460	60/50	3	F
335-04051	1/3	3450	TEFC (w/ ft)	2-1/8	5/8	230/460	60/50	3	F
336-05640	1/2	3450	TEFC	2-1/8	5/8	115/230	60/50	1	E
336-05416	1/2	3450	Explosion Proof	2-1/8	5/8	230/460	60	3	KF
336-04055	1/2	3450	TEFC (w/ ft)	2-1/8	5/8	230/460	60	3	F
336-05640	1/2	3450	TEFC	2-1/8	5/8	115/230	60/50	1	E
327-03565	3/4	1725	Explosion Proof	2-1/8	5/8	115/230	60	1	KE
337-04059	3/4	3450	TEFC	2-1/8	5/8	230/460	60/50	3	F
337-05695	3/4	3450	Explosion Proof	2-1/8	5/8	115/230	60	1	KE
338-04063	1	3450	TEFC	2-1/8	5/8	230/460	60/50	3	F



AIR MOTORS

ITEM	DESCRIPTION	8-5/8"	10-7/8"	12-1/2"
1	Air Motor with Muffler	386-02856	386-02856	386-02856
1A	Muffler only	760-06288	760-06288	760-06288
2	Needle Valve	738-02978-41	738-02978-41	738-02978-41
3	Quick Coupler	741-05143	741-05143	741-05143

ITEM	DESCRIPTION	18-1/2"	24"	36"
1	Air Motor with Muffler	386-02856	386-02856	386-02856
1A	Muffler only	760-06288	760-06288	760-06288
2	Needle Valve	738-02978-41	738-02978-41	738-02978-41
3	Quick Coupler	741-05143	741-05143	741-05143



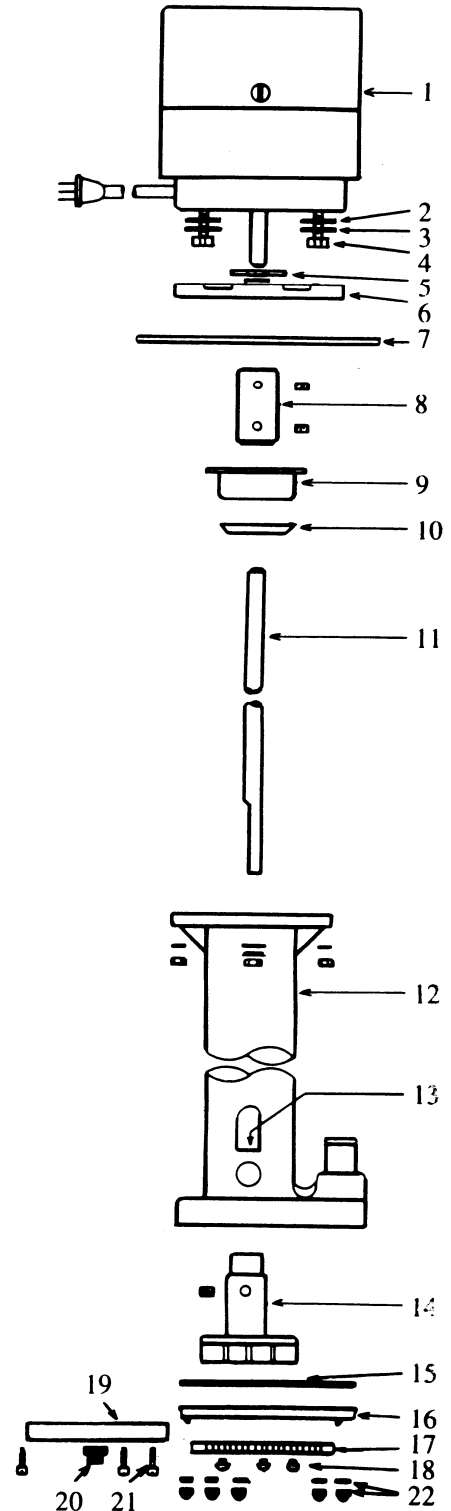
VP SERIES

ELECTRIC MOTOR DRIVEN MODELS

ITEM	DESCRIPTION	5"	8"	10"
For VPJ 35, 38, 310 and VPJ 45, 48 410 Models				
1	Motor 1/15hp 115V/ 60/50Hz /1ph 230V/ 60/50Hz /1ph	310-04423 310-04426	*311-05398 *311-06123	312-22018 312-22019
7	Mounting Plate	615-16984	615-16984	615-16984
8	Coupling (416 SS)			571-10945-86
9	Splash Shield	605-18145	605-18146	605-22015
10	Slinger	543-16772-74	543-16772-74	543-22014-74
11	Shaft (416 SS)			561-22017-86
14	Impeller	525-24612-74	525-19891-74	525-19891-74
19	Bushing Retainer			528-16768-74
20	Bushing			760-04296
21	3 Screws for Retainer			751-04293-81
For VPM 35, 38, 310 and VPM 45, 48, 410 Models				
1	Motor 1/15hp 115V/60/50Hz/1ph 230V/60/50Hz/1ph	312-22018 312-22019	312-22018 312-22019	312-22018 312-22019
7	Mounting Plate	615-16984	615-16984	615-16984
8	Coupling (316 SS)	571-10945-88	571-10945-88	571-10945-88
9	Splash Shield	605-22124		605-22015
10	Slinger	543-22014-74	543-22014-74	543-22014-74
11	Shaft (316 SS)	557-22130-88	557-22126-88	561-22017-88
14	Impeller	525-24612-74	525-19891-74	525-19891-74
19	Bushing Retainer			528-16768-74
20	Bushing			760-04296
21	3 Screws for Retainer			751-04293-81
For VPJ 55, 58, 510 and VPM 55, 58, 510 Models				
1	Motor 1/8hp 3450RPM 115V/ 60/50Hz /1ph 230V/ 60/50Hz /1ph 230/460V / 60Hz /3ph	318-02631 318-02632 318-02629	318-02631 318-02632 318-02629	318-02631 318-02632 318-02629
5	Slinger		744-24282	744-24282
6	Motor Adapter	531-16271	531-16271	531-16271
7	Mounting Plate	615-23669	615-23669	615-23669
8	Coupling (416 SS) VPJ only	572-22051-86	572-11588-86	572-11588-86
8	Coupling (316 SS) VPM only	572-22051-88	572-11588-88	572-11588-88
9	Splash Shield	605-22172	605-22077	605-22101
10	Slinger	543-22116-74	543-22116-74	543-22116-74
11	Shaft (416 SS) VPJ only	557-22129-86	557-22127-86	558-22117-86
11	Shaft (316 SS) VPM only	557-22129-88	557-22127-88	558-22117-88
14	Impeller	525-24328-74	525-19890-74	525-19890-74
For All Models				
2	Flat Washer	754-02712-81	754-02712-81	754-02712-81
3	Lock Washer	754-02622-81	754-02622-81	754-02622-81
4	Nuts	755-04490-81	755-04490-81	755-04490-81
12	Pump Body GM2GY	502M-15485-74	502M-22478-74	502M-22480-74
13	Baffle Disc	543-16763-74	543-16763-74	543-16763-74
15	Gasket	744-20259	744-20259	744-20259
16	Volute Cover	526-15486-74	526-15486-74	526-15486-74
17	Screen Intake	543-16765-74	543-16765-74	543-16765-74
18	3 Screws for Screen (302 S.S.)	751-04291-81	751-04291-81	751-04291-81
22	5 Screws for Volute (312 S.S.)	751-04288-81	751-04288-81	751-04288-81

* Includes switch on motor

NOTE: 1-13/16" dia impeller is used with 1/15hp



VP SERIES

AIR MOTOR DRIVEN MODELS

ITEM	DESCRIPTION	5"	8"	10"
1	Air Motor with Muffler	385-02956	385-02956	385-02956
2	Needle Valve for Air Motor	738-02977-41	738-02977-41	738-02977-41
3	Motor Adaptor	533-13088-31	533-13088-31	533-13088-31
4	Mounting Plate (round)	615-16984	615-16984	615-16984
5	Coupling, 416 S.S. 3/8 bore air motor	571-22050-86	571-19588-86	571-19588-86
5	Coupling, 316 S.S. 3/8 bore air motor	571-22050-88	571-19588-88	571-19588-88
6	Splash Shield air motor	605-22124	605-22083	605-22015
7	Slinger	543-22014-74	543-22014-74	543-22014-74
8	Shaft, 416 S.S. 3/8 dia air motor	557-22129-86	558-22125-86	558-22103-86
8	Shaft, 316 S.S. 3/8 dia air motor	557-22129-88	558-22125-88	558-22103-88
9	Pump Body	502M-15485-74	502M-22478-74	502M-22480-74
10	Baffle Disc	543-16763-74	543-16763-74	543-16763-74
11	Impeller, 2-1/16" dia	525-24328-74	525-19890-74	525-19890-74
12	Gasket	744-20259	744-20259	744-20259
13	Volute Cover	526-15486-74	526-15486-74	526-15486-74
14	Screen Intake	543-16765-74	543-16765-74	543-16765-74
15	3 Screws for Screen (302 S.S.)	751-04291-81	751-04291-81	751-04291-81
16	Bushing Retainer			528-16768-74
17	Bushing			760-04296
18	3 Screws for Bushing Retainer			751-04293-81
19	5 Screws for Volute (302 S.S.)	751-04288-81	751-04288-81	751-04288-81

