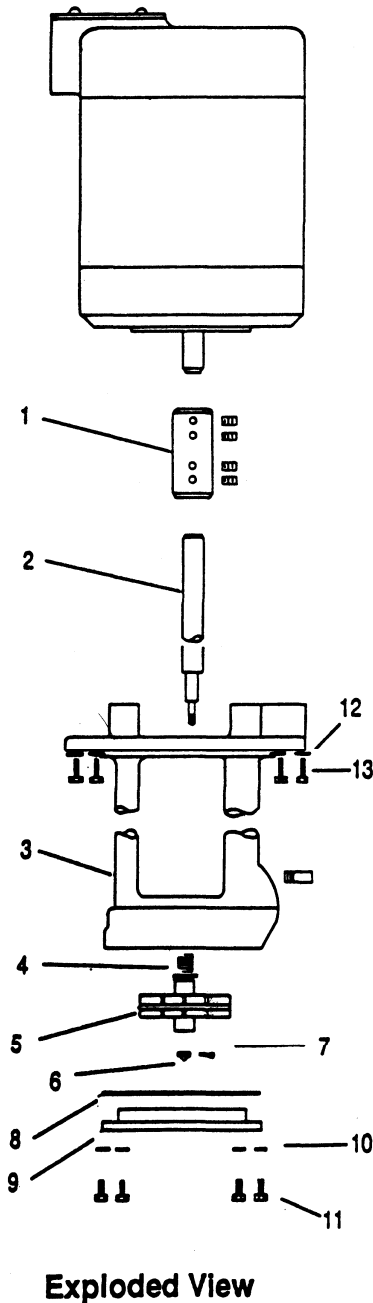


In order to obtain the proper replacement part for the different FM Series Pumps, locate the part required in the exploded view and determine the Item Number. Then locate this Item number on the parts list. The columns at the top of the parts list should be used to determine the correct part for the different FM Series Pumps.



REF	PART NO.	DESCRIPTION	FM78H	FM712H	FM66H	FM68H	FM76H	FM612H	FM63H
1	572-11588-63	Coupling, 1/2" Bore	1		1	1	1		1
1	572-29121-63	Coupling, 5/8" Bore		1				1	
2	558-12454-63	Shaft, 1/2" Dia.					1		
2	558-12496-63	Shaft, 1/2" Dia. x 8-3/8"	1						
2	561-13379-63	Shaft, 1/2" Dia. x 6-3/32"			1				
2	561-27064-63	Shaft, 1/2" Dia. x 3-19/32"							1
2	561-13380-63	Shaft, 1/2" Dia., x 8-21/32"				1			
2	561-29321-63	Shaft, 5/8" Dia. x 12-1/2"		1					
2	561-29322-63	Shaft, 5/8" Dia. x 12-5/8"							1
3	503-24635	FM Pump Body		1				1	
3	503-24636	FM Pump Body	1			1			
3	503-24637	FM Pump Body			1		1		
3	503-26942	FM Pump Body							1
4	765-03264-81	Spring			1	1		1	1
5	525-12719-31	Impeller 2-7/16" Dia Cast Alum (FM70)	1	1			1		
5	525-13027-74	Impeller 2-3/16" Dia Celcon (FM 60)				1	1		1
6	755-03193-81	Castle Nut				1	1		1
7	756-00893-81	Cotter Pin				1	1		1
7	753-02679	Set Screw	1	1			1		
8	744-23788	Gasket, FM	1	1	1	1	1	1	1
9	715-23722-15	Cover Plate	1	1	1	1	1	1	1
10	754-02622-12	Lock Washer #10	4	4	4	4	4	4	4
11	751-02776-12	M/S RD HP 10-24NC 3/8 LG	4	4	4	4	4	4	4
12	754-00595-12	Lock Washer 1/4	4	4	4	4	4	4	4
13	752-05655-12	C/S HEXHD 1/4-20 x x 2" LG	4	4	4	4	4	4	4