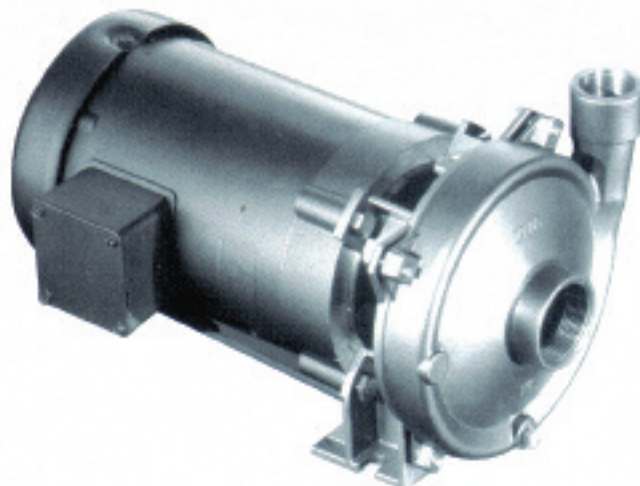


# CHEMFLO<sup>3</sup>

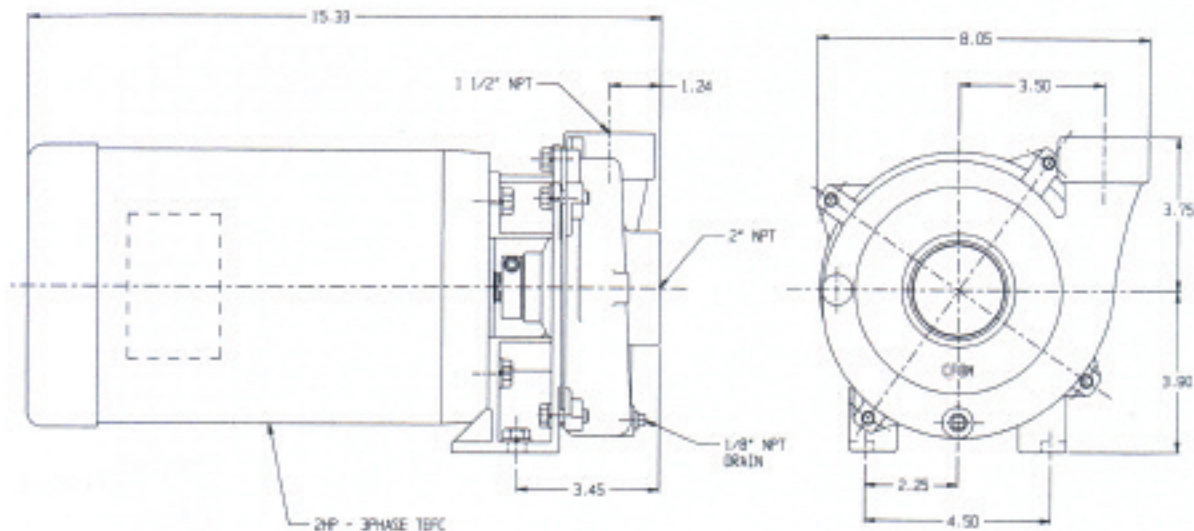
Centrifugal Pumps

## Features & Options

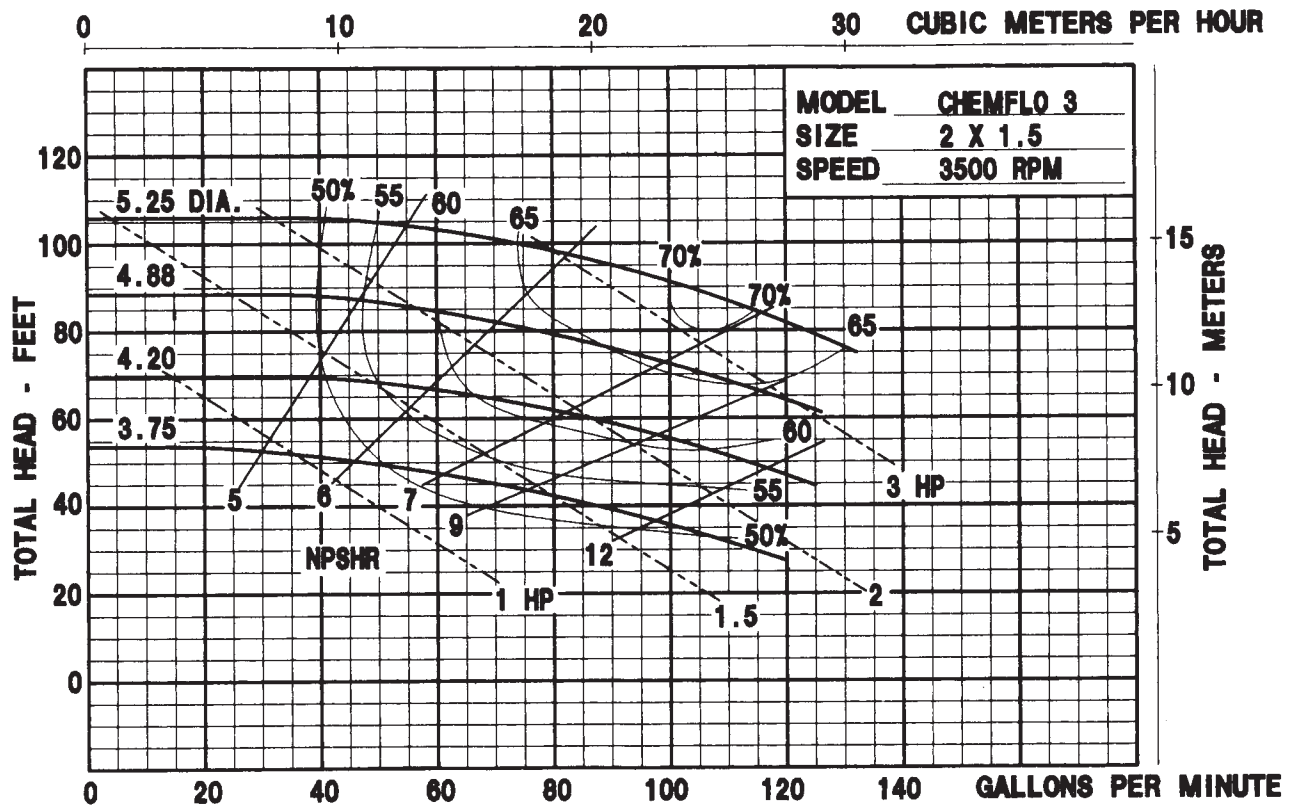
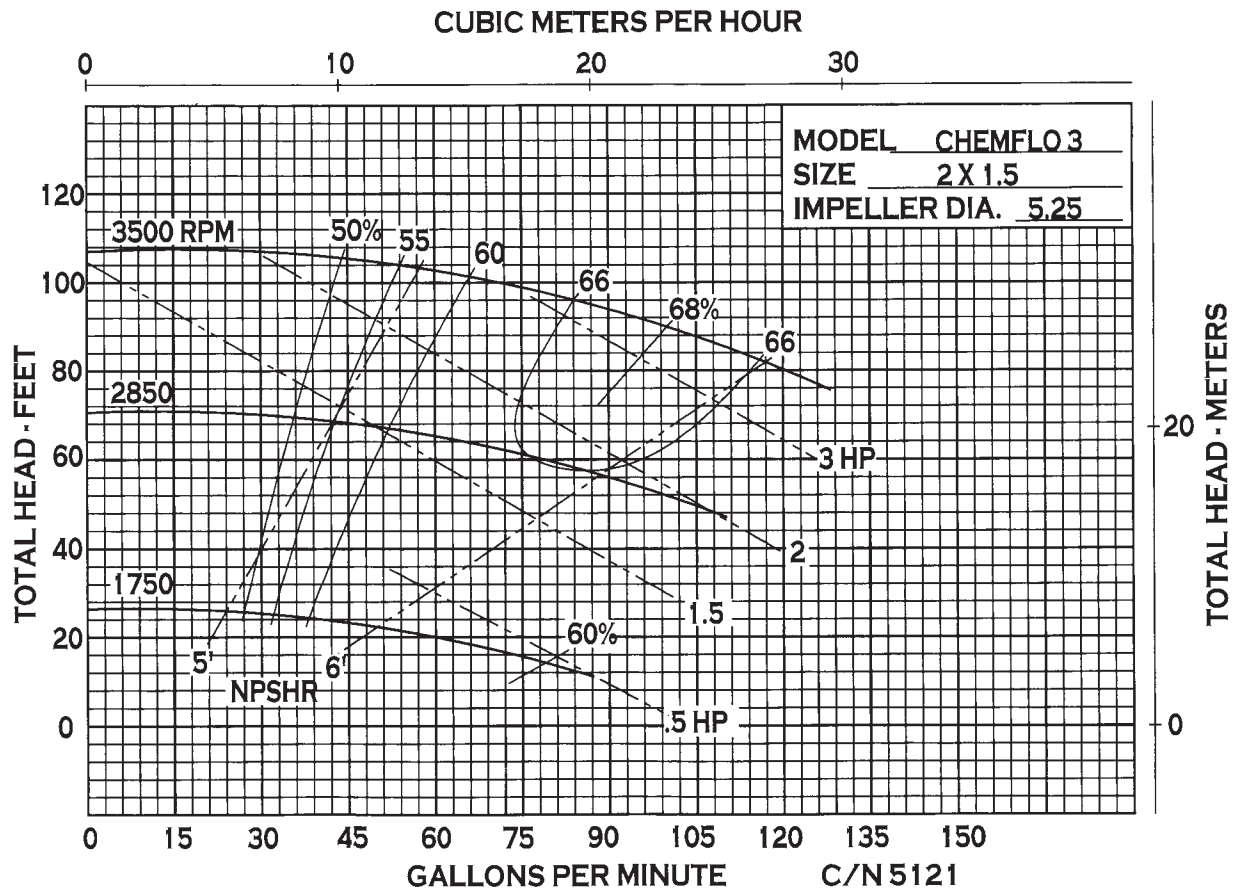
- SIZE: 2" x 1.5" x 5.25"
- All Cast 316SS Housing, Seal Housing And Impeller
- 316SS Pedestal Shaft Or Motor Shaft Sleeve
- Standard – Type 2100 Carbon/Ceramic/Viton Seal
- Standard – Viton O-Ring
- Semi-Open Impeller
- Flow Rates To 130 GPM
- Pressures To 105'
- Optional: Tap For Recirculation Or Seal Flush
- Optional: Severe Duty Seals
- Available: Pedestal Pump
- Available: Pumpak For 56C, 145TC, 184C  
Close-Couple Electric Motor



## Dimensions



34800 BENNETT • FRASER, MI 48026-1686  
(586) 293-8240 • FAX (586) 293-8469  
(800) 563-8006 • [www.mppumps.com](http://www.mppumps.com)



**MP PUMPS, INC.**

34800 BENNETT • FRASER, MI 48026-1686  
 (586) 293-8240 • FAX (586) 293-8469  
 (800) 563-8006 • www.mppumps.com