

# CHEMFLO<sup>5</sup>

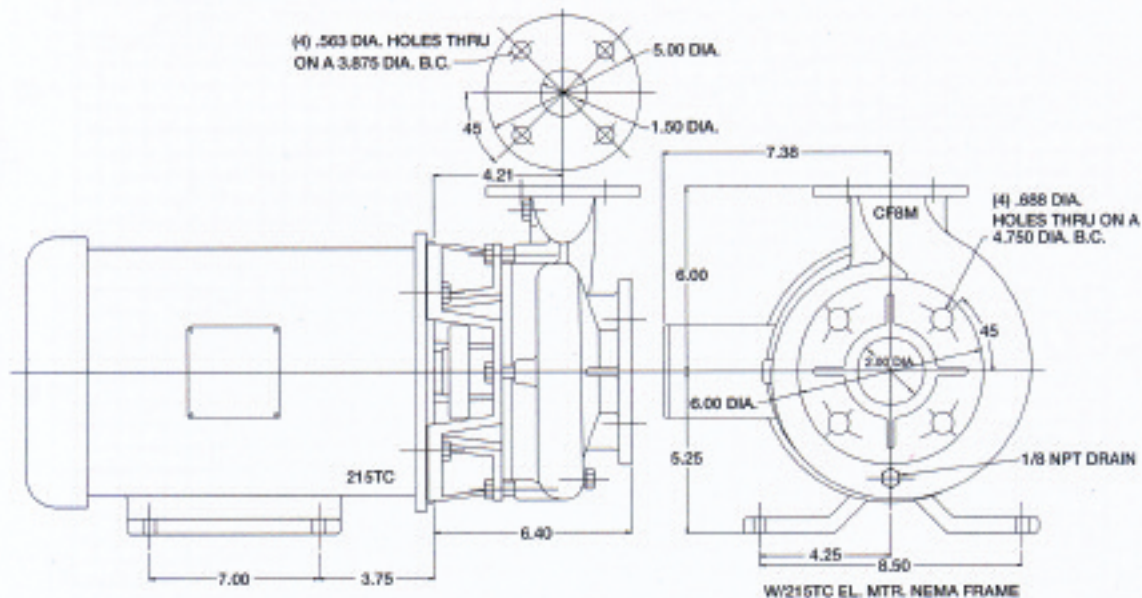
Centrifugal Pumps

## Features & Options

- SIZE: 2" x 1.5" x 6"
- All Cast 316SS Housing, Seal Housing And Impeller
- 316SS Pedestal Shaft Or Motor Shaft Sleeve
- Standard – Type 2100 Carbon/Ceramic/Viton Seal
- Standard – Viton O-Ring
- Enclosed Impeller
- Flow Rates To 325 GPM
- Pressures To 160'
- Optional: Tap For Recirculation Or Seal Flush
- Optional: Severe Duty Seals
- Available: Pedestal Pump
- Available: Pumpak For 145TC, 184TC And 215TC Close-Couple Electric Motor

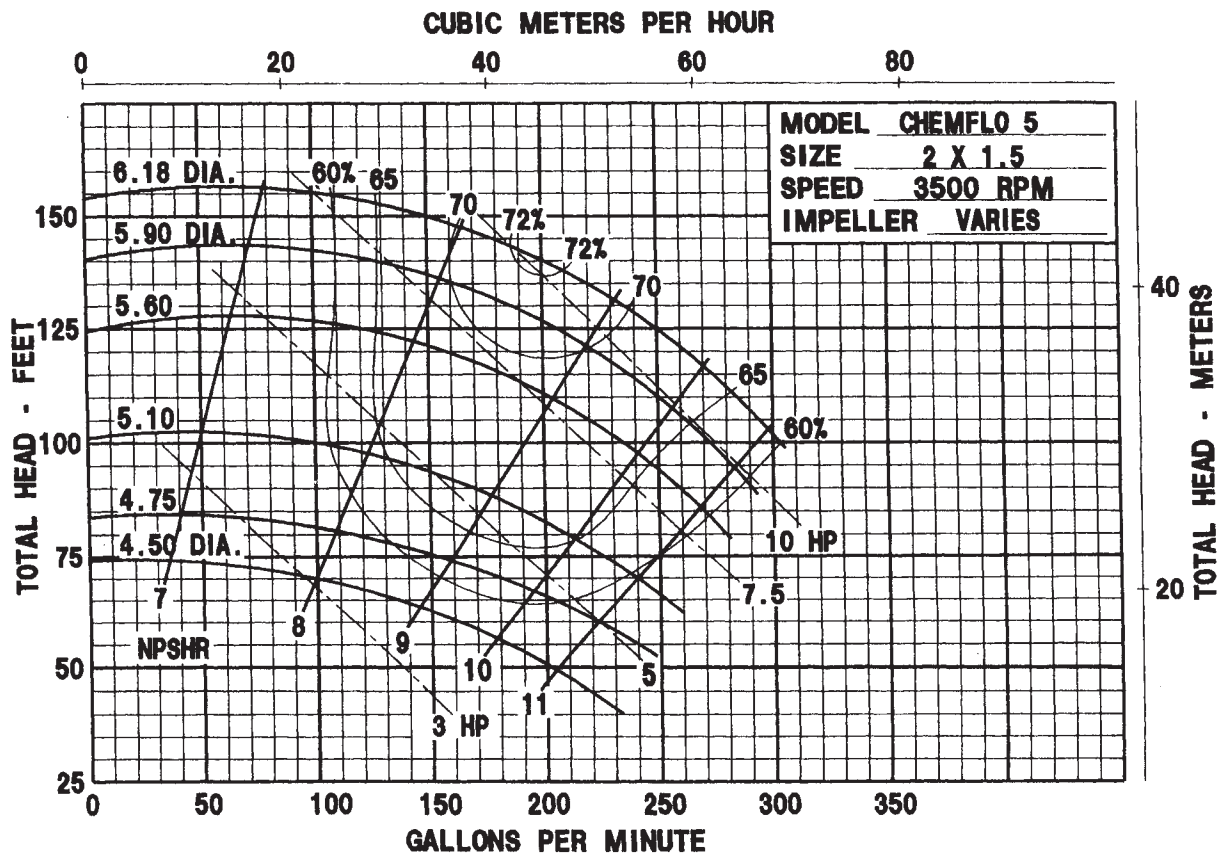
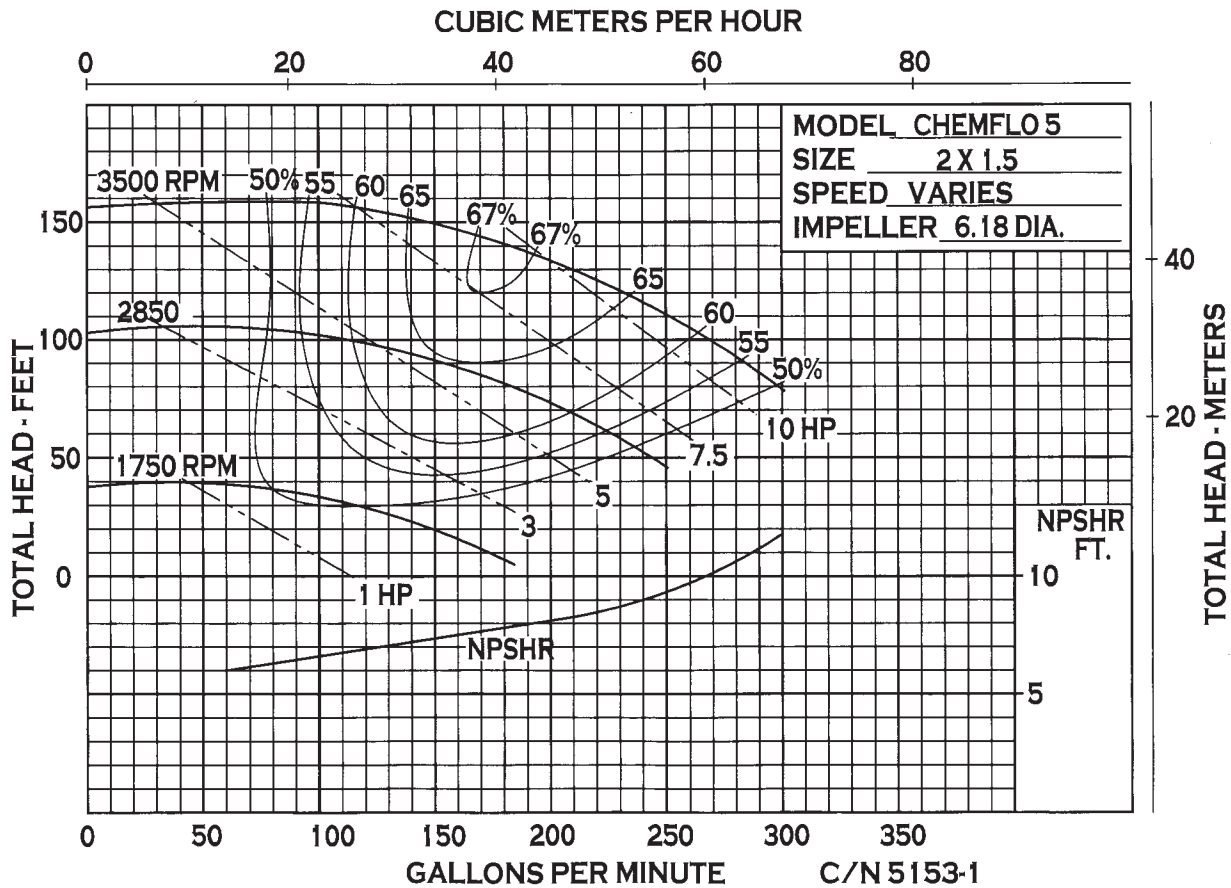


## Dimensions



**MP PUMPS, INC.**

34800 BENNETT • FRASER, MI 48026-1686  
(586) 293-8240 • FAX (586) 293-8469  
(800) 563-8006 • [www.mppumps.com](http://www.mppumps.com)



34800 BENNETT • FRASER, MI 48026-1686  
 (586) 293-8240 • FAX (586) 293-8469  
 (800) 563-8006 • www.mppumps.com