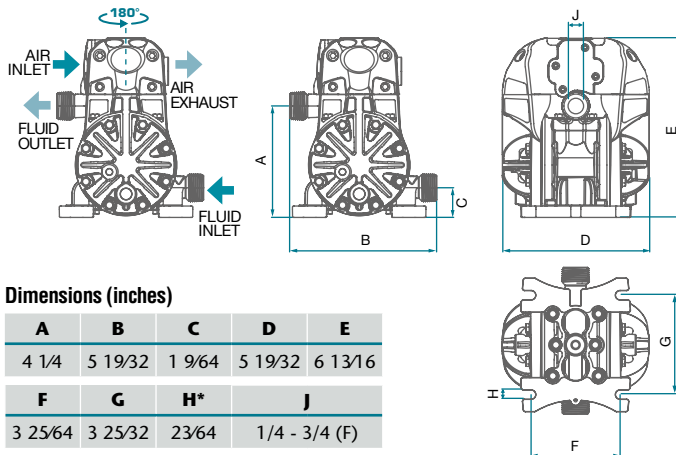


DC20 PLASTIC PUMPS

TECHNICAL DATA

Pressure ratio	1:1
Maximum free delivery (1)	5 US gal/min (20 l/min)
Delivery per stroke approx. (1)	0.008 US gal (0,03l)
Delivery per cycle (2 x strokes) (1)	0,06 liters (0.016 US gal)
Air pressure operating range	22 to 100 psi (1,5 to 7 bar)
Solids in suspension max. size	2 mm (3/32")
Maximum dry suction lift (1)	6 1/2' (2 m)
Maximum wet suction lift (1)	23' (7 m)
Weight	2.65 lb (1,2 kg)
Fluid inlet connection	Int.: 1/4" NPT/BSP (F) / Ext.: 3/4" NPT (M)
Fluid outlet connection	Int.: 1/4" NPT/BSP (F) / Ext.: 3/4" NPT (M)
Air inlet connection	3/8" NPSM (F)
Wetted part materials	See recommended models

(1) Data measured with water, air inlet pressure 100 psi (7 bar), 68 °F (20 °C).



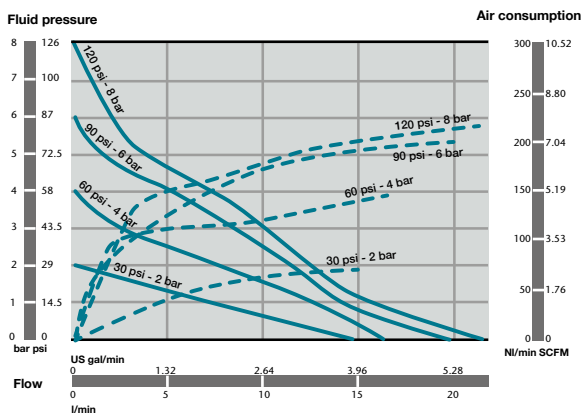
Dimensions (inches)

A	B	C	D	E
4 1/4	5 19/32	1 9/64	5 19/32	6 13/16
F	G	H*	J	
3 25/64	3 25/32	23/64	1/4 - 3/4 (F)	

* Diameter of the holes for fasteners in each of the four pump feet.
Flange connection: 2 bolts - M 5 (1 39/64" between centers).

PERFORMANCE CURVES

Tested at room temperature, with water and flooded pump with 31 1/2" (800 mm) height of water above the pump inlet.



— Outlet pressure - - - - - Air consumption

DC20 PLASTIC PUMP CODING SYSTEM

1	2	3	4	5	6	7	8	9	10
DC20	P	P	S	E	P	T	M	B	AS

1 PUMP SIZE

DC20

2 AIR MOTOR: DIRECTIONAL VALVE & AIR CHAMBER COVERS

P = Polypropylene

3 WETTED PUMP BODY

P = Polypropylene
B = Conductive Polypropylene (ATEX pump)
D = Conductive Acetal (ATEX pump)
W = PVDF
K = Conductive PVDF

4 PUSH ROD

S = Stainless Steel AISI 420
Y = Hastelloy® C

5 SEALS

V = FKM (Viton®)
E = EPDM
T = PTFE (Teflon®)

6 CHECK VALVE SEATS

P = Polypropylene
C = Acetal
W = PVDF

7 CHECK VALVE BALLS

T = PTFE (Teflon®)
C = Acetal

8 DIAPHRAGMS

T = PTFE (Teflon®)
M = Santoprene®
H = TPE (Hytrel®)

9 FLUID CONNECTION THREADS

B = BSP
N = NPT

10 OPTIONS

AS = Standard pump
BS = Remote air exhaust *
DS = Stroke sensor
FS = Extra muffler

* Included in all DC20 pumps

