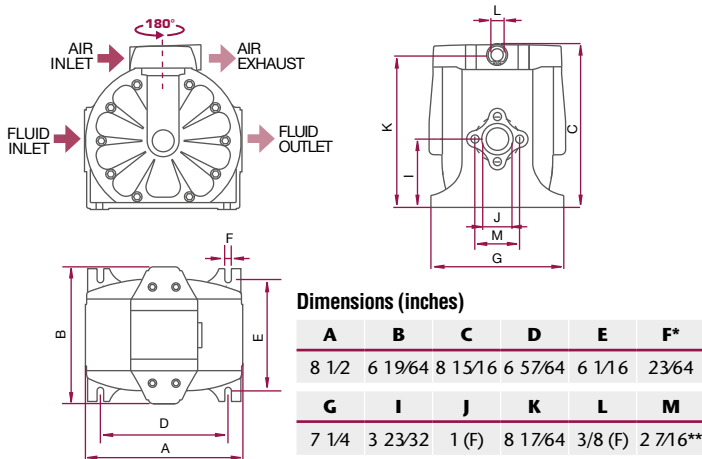


DF100 METAL PUMPS

TECHNICAL DATA

Pressure ratio	1:1
Maximum free delivery (1)	28 US gal/min (100 l/min)
Delivery per stroke approx. (1)	0.07 US gal (0,25 liters)
Delivery per cycle (2 x strokes) (1)	0.13 US gal (0,5 liters)
Air pressure operating range	22 to 115 psi (1,5 to 8 bar)
Solids in suspension max. size	3/16" (4 mm)
Maximum dry suction lift (1)	15' (4,5 m)
Maximum wet suction lift (1)	23' (7 m)
Weight	16 lb (7,2 kg)
Fluid inlet connection	1" NPT/BSP (F)
Fluid outlet connection	1" NPT/BSP (F)
Air inlet connection	3/8" NPSM (F)
Wetted part materials	See recommended models

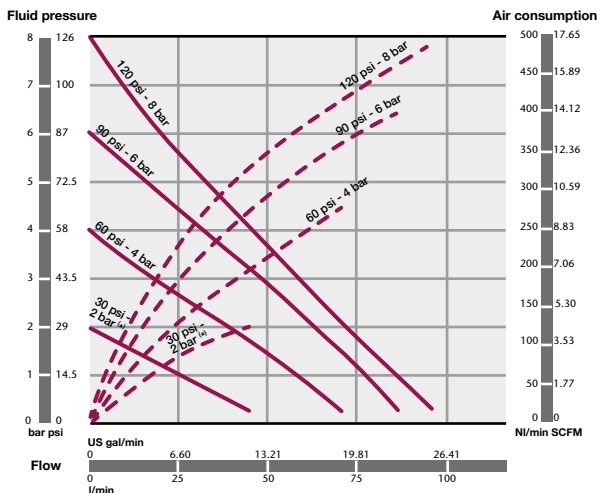
(1) Data measured with water, air inlet pressure 100 psi (7 bar), 68 °F (20 °C).



* Diameter of the holes for fasteners in each of the four pump feet.
** Flange connection: 2 bolts - M 5 (1 39/64" between centers).

PERFORMANCE CURVES

Tested at room temperature, with water and flooded pump with 31 1/2" (800 mm) height of water above the pump inlet.



(*) 30 psi test with a PTFE (Teflon®) diaphragms pump.

— Outlet pressure - - - - Air consumption

DF100 METAL PUMP CODING SYSTEM

1	2	3	4	5	6	7	8	9	10
DF100	A	A	S	N	S	N	N	B	AS

1 PUMP SIZE
DF100

2 AIR MOTOR: DIRECTIONAL VALVE & AIR CHAMBER COVERS
A = Aluminum

3 WETTED PUMP BODY
A = Aluminum
S = Stainless Steel AISI 316

4 PUSH ROD
S = Stainless Steel AISI 420

5 SEALS
N = Buna-N
V = FKM (Viton®)
E = EPDM
T = PTFE (Teflon®)

6 CHECK VALVE SEATS
S = Stainless Steel AISI 316

7 CHECK VALVE BALLS
T = PTFE (Teflon®)
N = Buna-N
S = Stainless Steel AISI 316

8 DIAPHRAGMS
T = PTFE (Teflon®)
N = Buna-N
H = TPE (Hytrel®)
M = Santoprene®

9 FLUID CONNECTION THREADS
B = BSP
N = NPT

10 OPTIONS
AS = Standard pump
BS = Remote air exhaust
DS = Stroke sensor
ES = Externally driven
FS = Extra muffler
GS = NPN inductive external pump control sensor.
IS = ATEX inductive external pump control sensor.
JS = PNP inductive external pump control sensor
US = Special UV ink pump

