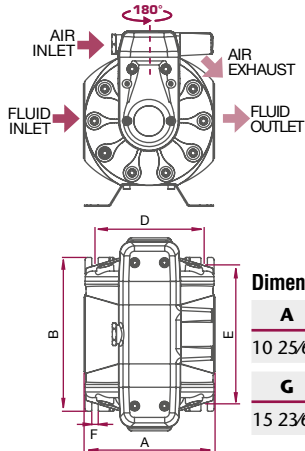


## DF250 METAL PUMPS

### TECHNICAL DATA

Pressure ratio	1:1
Maximum free delivery (1)	66 US gal/min (250 l/min)
Delivery per stroke approx. (1)	0.16 US gal (0,6 liters)
Delivery per cycle (2 x strokes) (1)	0.32 US gal (1,2 liters)
Air pressure operating range	22 to 115 psi (1,5 to 8 bar)
Solids in suspension max. size	1/4" (6 mm)
Maximum dry suction lift (1)	16' (5 m)
Maximum wet suction lift (1)	26' (8 m)
Weight	45 lb (20 kg)
Fluid inlet connection	1 1/2" NPT (F) and ANSI 1" B16.5 150 lb flange or 1 1/2" BSP (F) and DIN PN-10 DN40 flange
Fluid outlet connection	1 1/2" NPT (F) and ANSI 1" B16.5 150 lb flange or 1 1/2" BSP (F) and DIN PN-10 DN40 flange
Air inlet connection	1/2" NPSM (F)
Wetted part materials	See recommended models

(1) Data measured with water, air inlet pressure 100 psi (7 bar), 68 °F (20 °C).



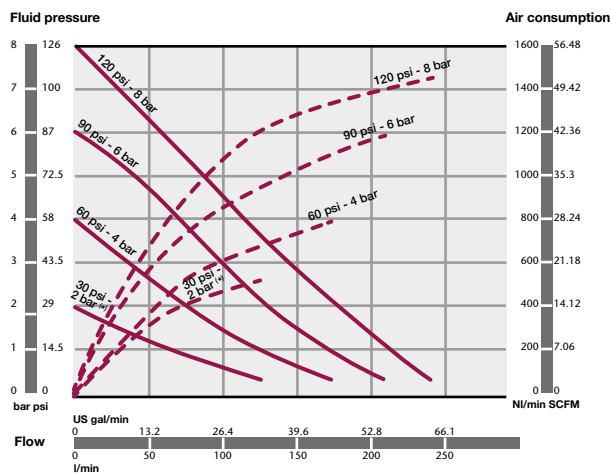
### Dimensions (inches)

A	B	C	D	E	F*
10 25/64	12 13/64	13 57/64	8 21/32	11 1/32	33/64
G	I	J	K	L	M
15 23/64	64 9/64	1 1/2 (F)	12 7/8	1/2 (F)	4 21/64**

\* Diameter of the holes for fasteners in each of the four pump feet.  
\*\* DIN PN-10 flange connection: 4 bolts - M 16 (4 21/64" between centers).  
\*\* ANSI B16.5 150 lb flange connection: 4 bolts - UNC 1/2" - 13 (3 7/8" between centers).

## PERFORMANCE CURVES

Tested at room temperature, with water and flooded pump with 31 1/2" (800 mm) height of water above the pump inlet.



(\*) 30 psi test with a pump fitted with TPE (Hytrell®) diaphragms.

— Outlet pressure      - - - - Air consumption

## DF250 METAL PUMP CODING SYSTEM

1	2	3	4	5	6	7	8	9	10
DF250	A	A	S	N	S	N	N	B	AS

### 1 PUMP SIZE

DF250

### 2 AIR MOTOR: DIRECTIONAL VALVE & AIR CHAMBER COVERS

A = Aluminum

### 3 WETTED PUMP BODY

A = Aluminum

### 4 PUSH ROD

S = Stainless Steel AISI 420

### 5 SEALS

N = Buna-N  
V = FKM (Viton®)  
E = EPDM  
T = PTFE (Teflon®)

### 6 CHECK VALVE SEATS

S = Stainless Steel AISI 316

### 7 CHECK VALVE BALLS

T = PTFE (Teflon®)  
N = Buna-N  
S = Stainless Steel AISI 316  
C = Acetal

### 8 DIAPHRAGMS

T = PTFE (Teflon®)  
N = Buna-N  
H = TPE (Hytrell®)  
M = Santoprene®

### 9 FLUID CONNECTION THREADS

B = BSP  
N = NPT

### 10 OPTIONS

AS = Standard pump  
BS = Remote air exhaust \*  
DS = Stroke sensor  
FS = Extra muffler

\* Included in all DF250 pumps

