

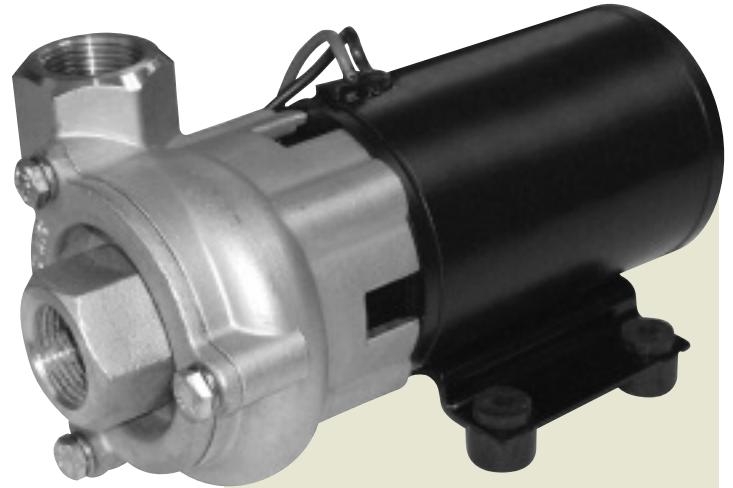
MP PUMPS, INC.

FRX 75

Centrifugal Pump

Model FRX 75 is a high performance 316 stainless steel centrifugal pump. The pump is ideal for marine, agricultural, commercial or industrial transfer applications of compatible fluids.

The FRX 75 model features all 316 stainless steel components for superior corrosion resistance when pumping chemical compounds. A carbon/ceramic/viton bellows shaft seal is standard. Ports are 3/4" NPT. Marine ignition protected motors available. Pump rotation in 90 increments.



SPECIFICATIONS:

Housing	316 Stainless Steel (Investment Cast)
Cover	316 Stainless Steel (Investment Cast)
Impeller	316 Stainless Steel, Semi-Open (Sintered PM)
Mechanical Seal . .	Carbon/Ceramic/Viton Bellows 150 PSI Special Seals Upon Request
O-ring	Viton
Motor	12V DC, 24V DC and 32V DC 115V AC ODP and TENV 230 VAC TENV
Weights	Pump W/AC Motor 15 lbs. Pump W/DC Motor 9.5 lbs.

Application:

- Marine
- Industrial
- Commercial

Construction:

- 316 Stainless Steel Investment Cast

Motor Options:

- AC
- DC

Port Sizes:

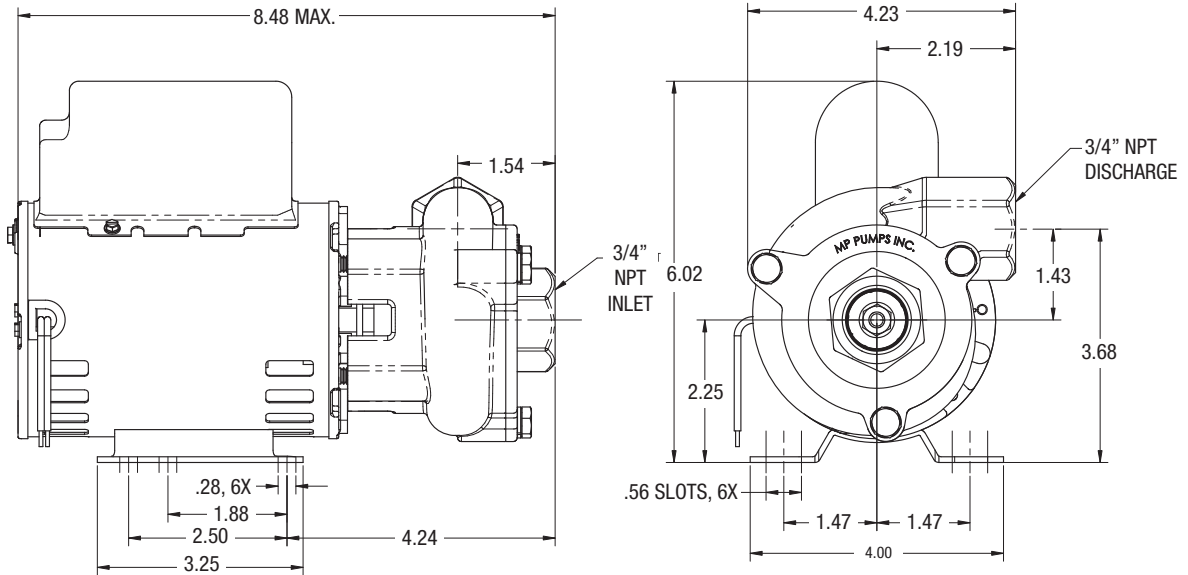
- 3/4" NPT

Seal:

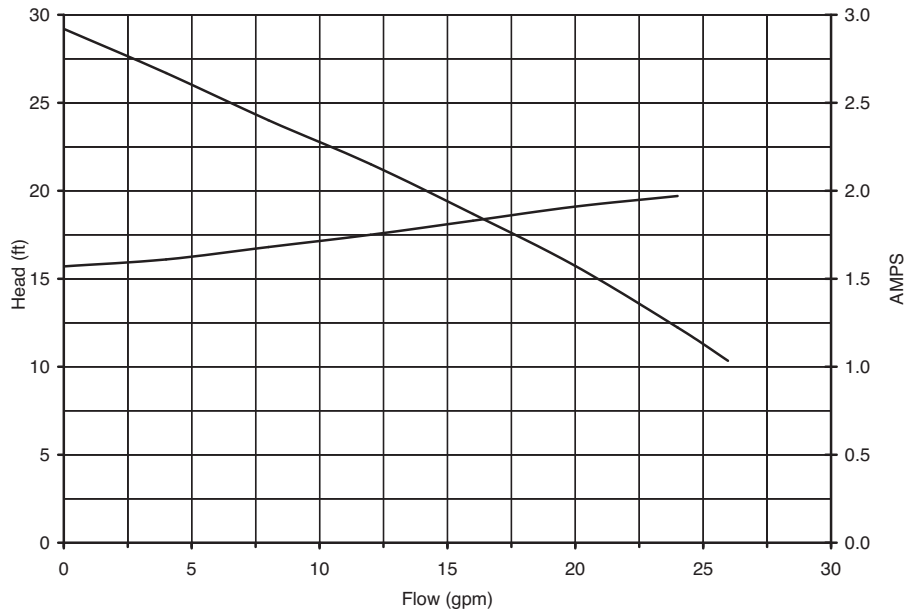
- Carbon / Ceramic / Viton

FRX 75

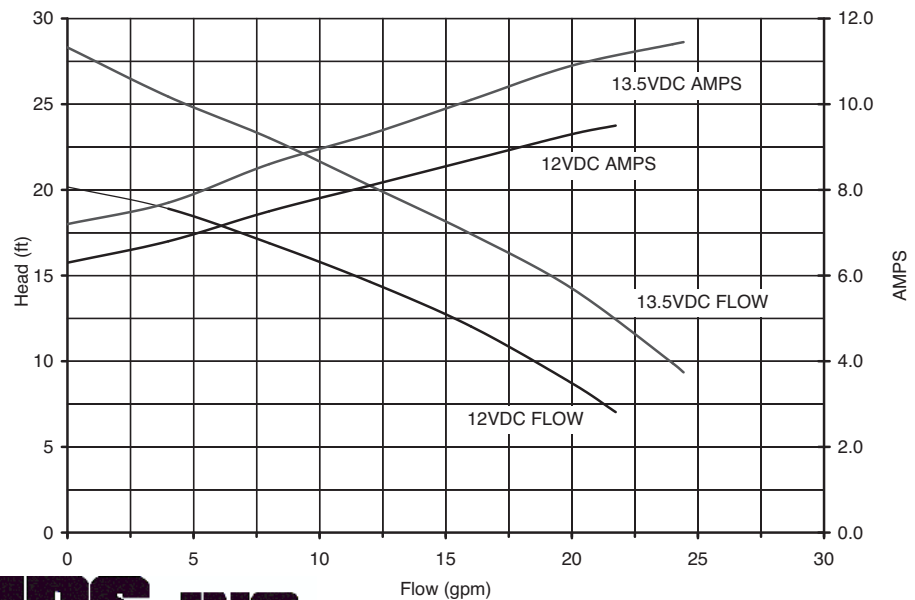
Horizontal Discharge Shown



115V AC MOTOR



12V DC MOTOR
FOR 24V DC AMPS DIVIDE
12V AMPS BY TWO



34800 BENNETT • FRASER, MI 48026-1686
(586) 293-8240 • FAX (586) 293-8469
(800) 563-8006 • www.mppumps.com

www.mppumps.com

FORM 8117-A (02/07)
Litho in USA