

FLOMAX 30

3" x 3" Self-Priming Centrifugal Pump

The FLOMAX 30 is capable of suction lifts to 25' flow rates to 500 gpm and pressures to 190' tdh. The double seal pump is capable of handling abrasive and viscous liquids as well as periods of dry run without damage. The double seal FLOMAX 30 is well suited for services such as machine tool coolant, commercial fertilizer blending and drilling mud.

PUMP SPECIFICATIONS

| | |
|-------------------|---|
| Seal | Single carbon/ceramic/viton standard or Double seal with silicon carbide/silicon carbide inboard faces, high pressure grease lubricated |
| Impeller | 6-vane semi open CI |
| Housing | Class 30 CI |
| Shaft Sleeve..... | 316SS |

Single Seal Or

Double Seal
Pressure Grease
Lubricated

Available in:

CC Electric Motor
Pedestal Pump
Gas Engine Or
Hydraulic Motor
Driven

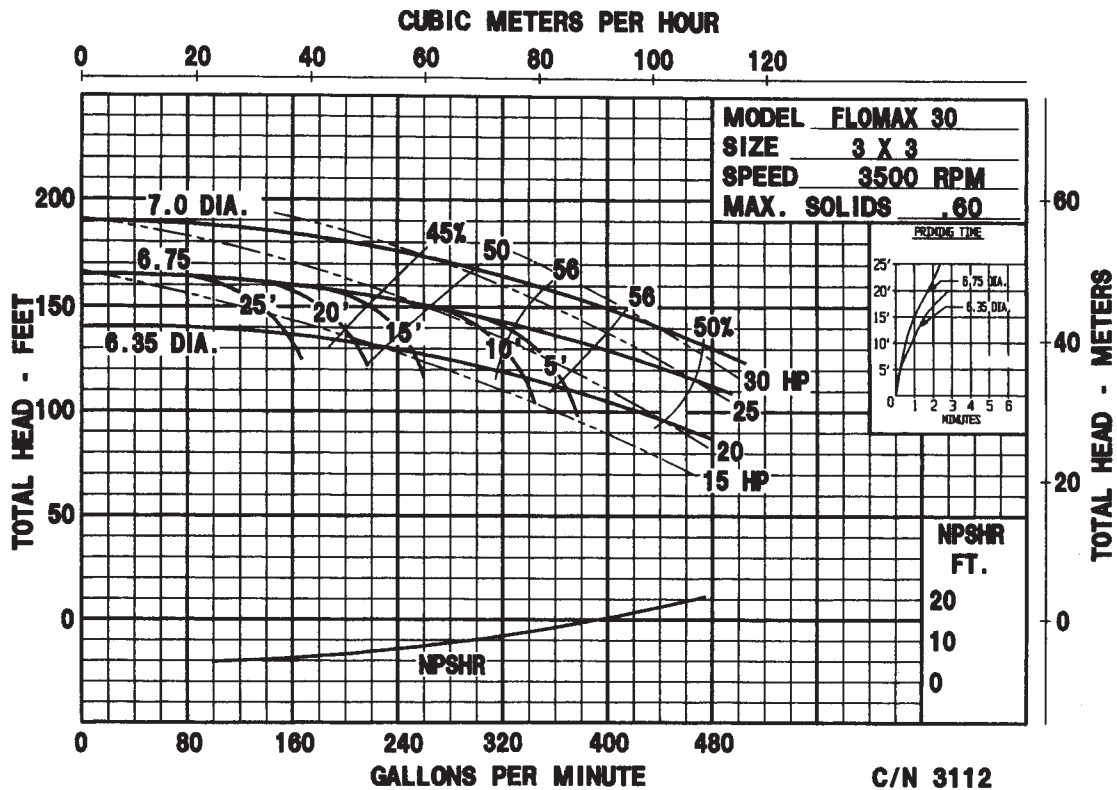
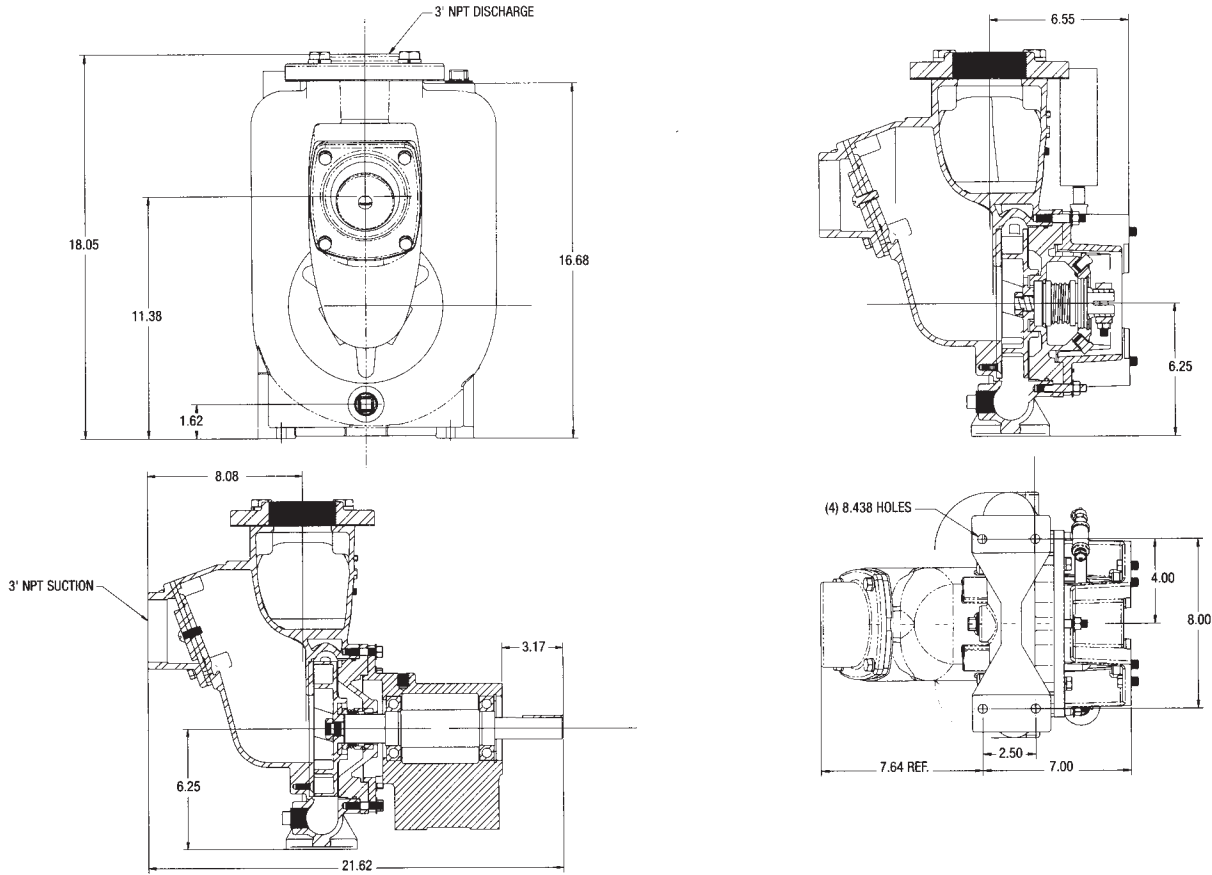


MP PUMPS, INC.

34800 BENNETT • FRASER, MI 48026-1686
(586) 293-8240 • FAX (586) 293-8469
(800) 563-8006 • www.mppumps.com

FLOMAX 30 3" x 3"

SELF PRIMING CENTRIFUGAL



34800 BENNETT • FRASER, MI 48026-1686
 (586) 293-8240 • FAX (586) 293-8469
 (800) 563-8006 • www.mppumps.com

www.mppumps.com

FORM 8102 (5/02)
 Litho in USA