

# FLOMAX 5

## 1-1/2" X 1-1/2" SELF- PRIMING CENTRIFUGAL PUMP

FLOMAX 5 self-priming centrifugal pumps are capable of creating vacuum sufficient to lift liquids from heights up to 25' above the source. Once primed the pumps built-in flapper valve will maintain a full column of liquid in the suction line.

A FLOMAX PUMPAK is a fully assembled and run tested pump end that can be easily coupled to a number of drivers such as hydraulic motors, 56C and 145TC frame motors. A bearing pedestal is also available for T-frame motor or belt drive.

Standard features include SS drive sleeve, SS fasteners, renewable wearplate, and semi-open, dynamically balanced impeller. Options include double grease-lubricated seals, SS impeller and seals for all type of abrasive and/or corrosive services.

Close-Coupled to  
Electric Motor  
or PUMPAK Only to Mount  
to Standard NEMA "C"  
Face Motor

1.5HP • 2HP • 3HP

UP TO 100 GPM  
UP TO 40 PSI

### PUMP SPECIFICATIONS

Suction and Discharge . . .	1-1/2" x 1-1/2"
Housing . . . . .	Cast Iron, bronze or aluminum
Impeller . . . . .	Cast Iron, bronze or aluminum with stainless steel also available
Shaft Sleeve . . . . .	Stainless Steel to fit either
Fasteners . . . . .	Stainless Steel
Seals . . . . .	Standard Viton. Special seal material combinations available (consult factory).

### AVAILABLE IN:

BRONZE

ALUMINUM

CAST IRON

• WITH OR WITHOUT  
ELECTRIC MOTOR

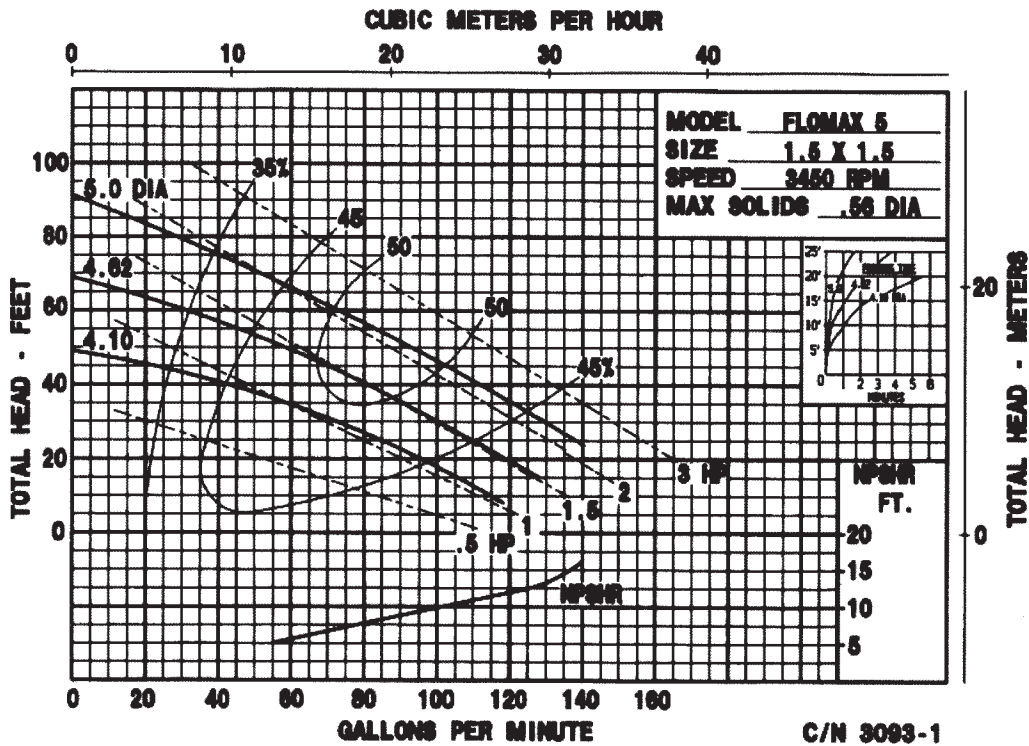
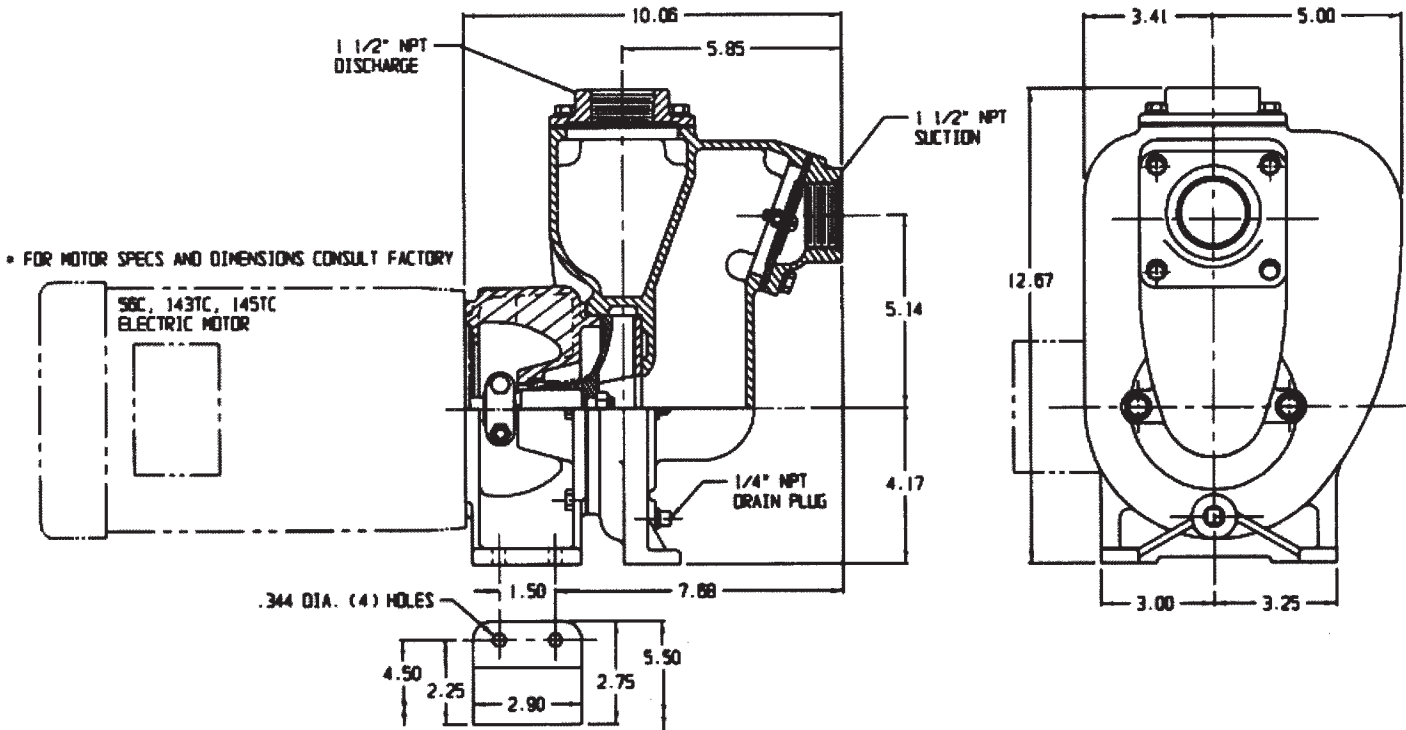


34800 BENNETT • FRASER, MI 48026-1686  
(586) 293-8240 • FAX (586) 293-8469  
(800) 563-8006 • www.mppumps.com

# FLOMAX 5

1-1/2" X 1-1/2"

SELF-PRIMING  
CENTRIFUGAL  
ELECTRIC MOTOR DRIVE



**MP PUMPS, INC.**

34800 BENNETT • FRASER, MI 48026-1686  
(588) 293-8240 • FAX (588) 293-8469  
(800) 563-8006 • www.mppumps.com

Form 8023D (4-04)