

# MP PUMPS, INC.

## CFB 1 Series

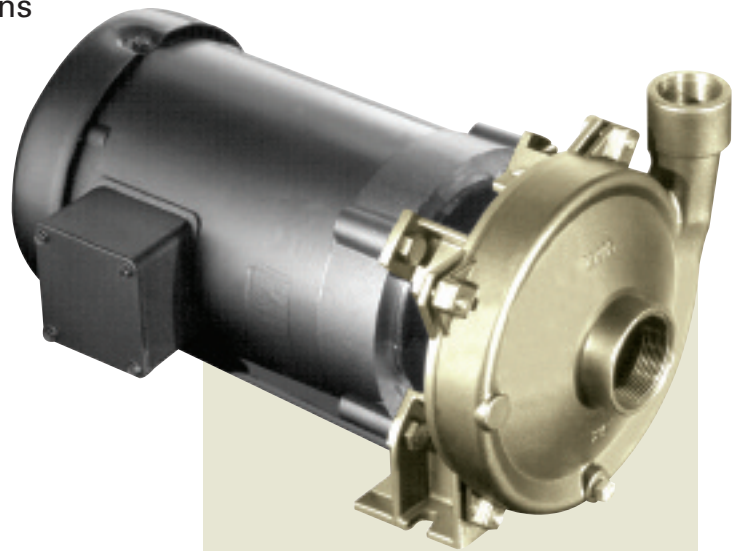
Nickel, Aluminum, Bronze

CFB Series pumps offer NPT threaded connections and easy to install pump-end (Pumpak) design onto any 56C motor.

Popular flow ranges to provide adequate flow and head within the three horsepower envelope. The pump is designed for efficient use of material using investment casting technology with better running efficiencies than sand cast alternatives.

Semi-open impellers allow a higher solid size to pass thru than others with enclosed impellers. All wetted pump parts are CA 958 (nickel-aluminum-bronze) including the sleeve for maximum corrosion protection with seawater.

O-ring seals offer leak free assemblies that gasketed pumps cannot. Viton elastomers are standard.



### SPECIFICATIONS:

|                       |  |
|-----------------------|--|
| Suction and Discharge | 1 1/2" x 1" NPT                                  |
| Housing               | CA958  |
| Volute                | CA958  |
| Impeller              | CA958<br>Semi-Open, Balanced                     |
| Adaptor               | CA 958   |
| Drive Sleeve          | CA958  |
| Seal, Type 21         | Carbon/Ceramic/Viton<br>Optional Seals Available |
| Fasteners             | Stainless Steel                                  |

### MOUNTING OPTIONS:

- Pumpak
- Pedestal
- Close Cpld,  
56C Electric Motor

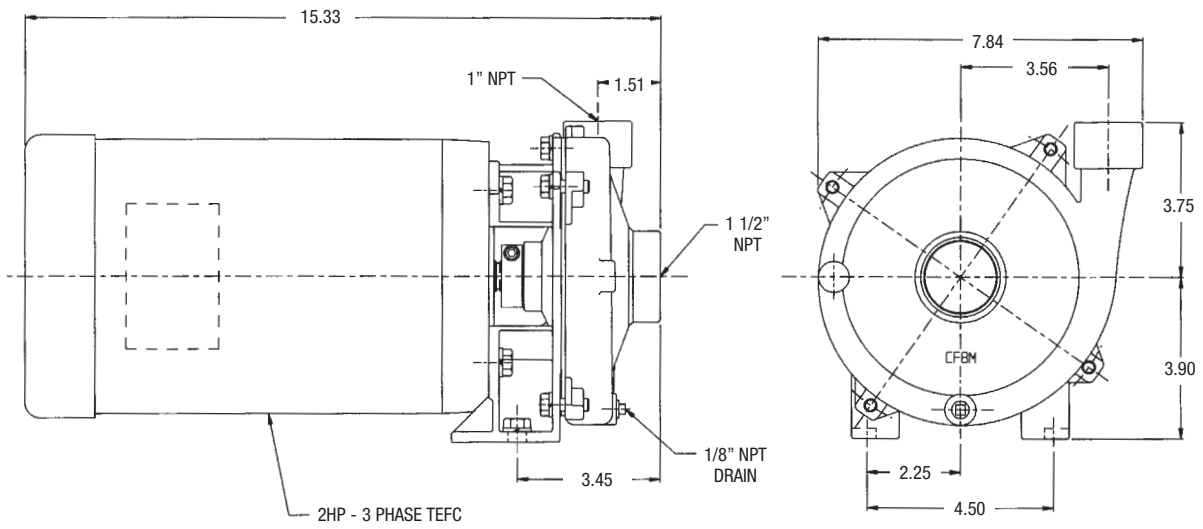
### FLOWS TO 100 GPM

### PRESSURES TO 128 TDH

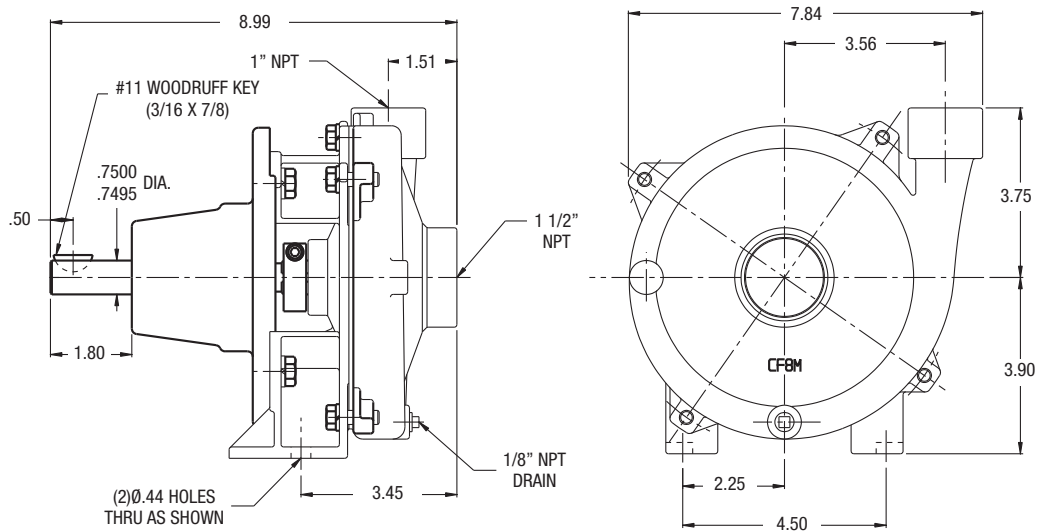
### APPLICATION:

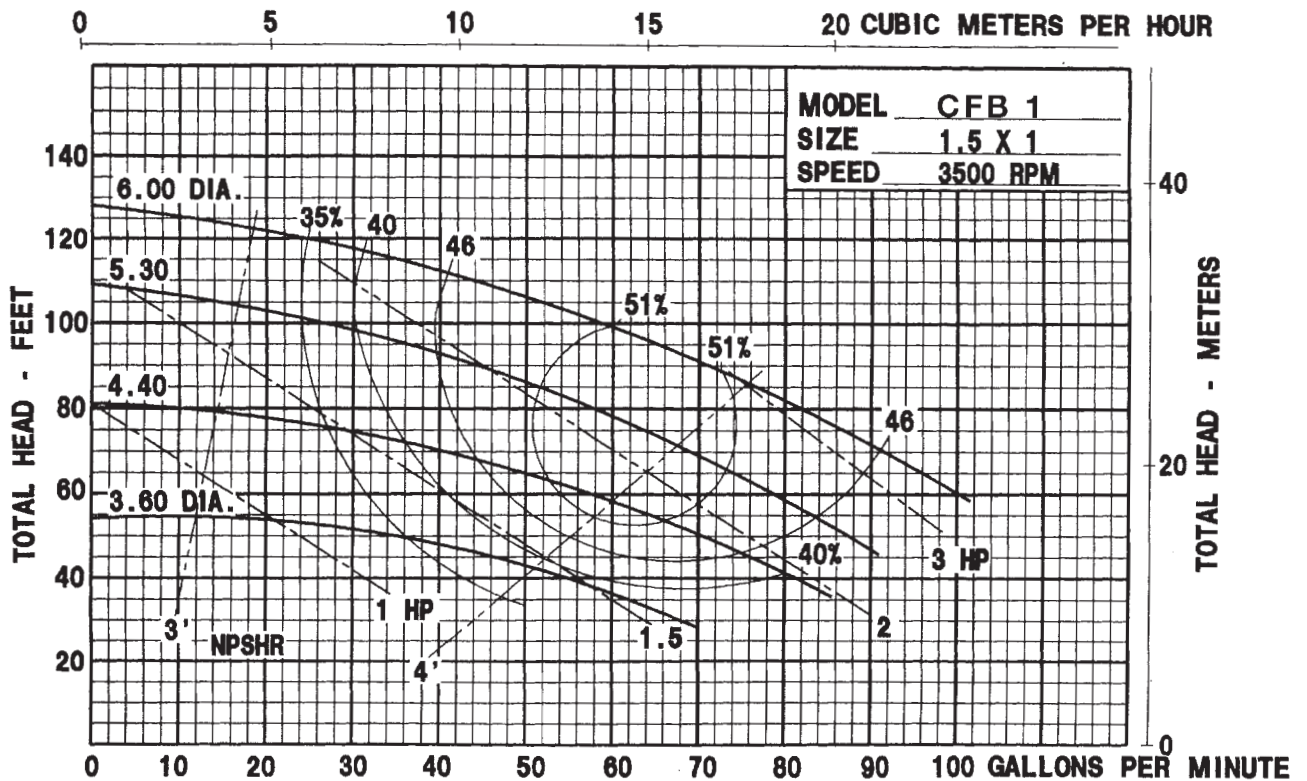
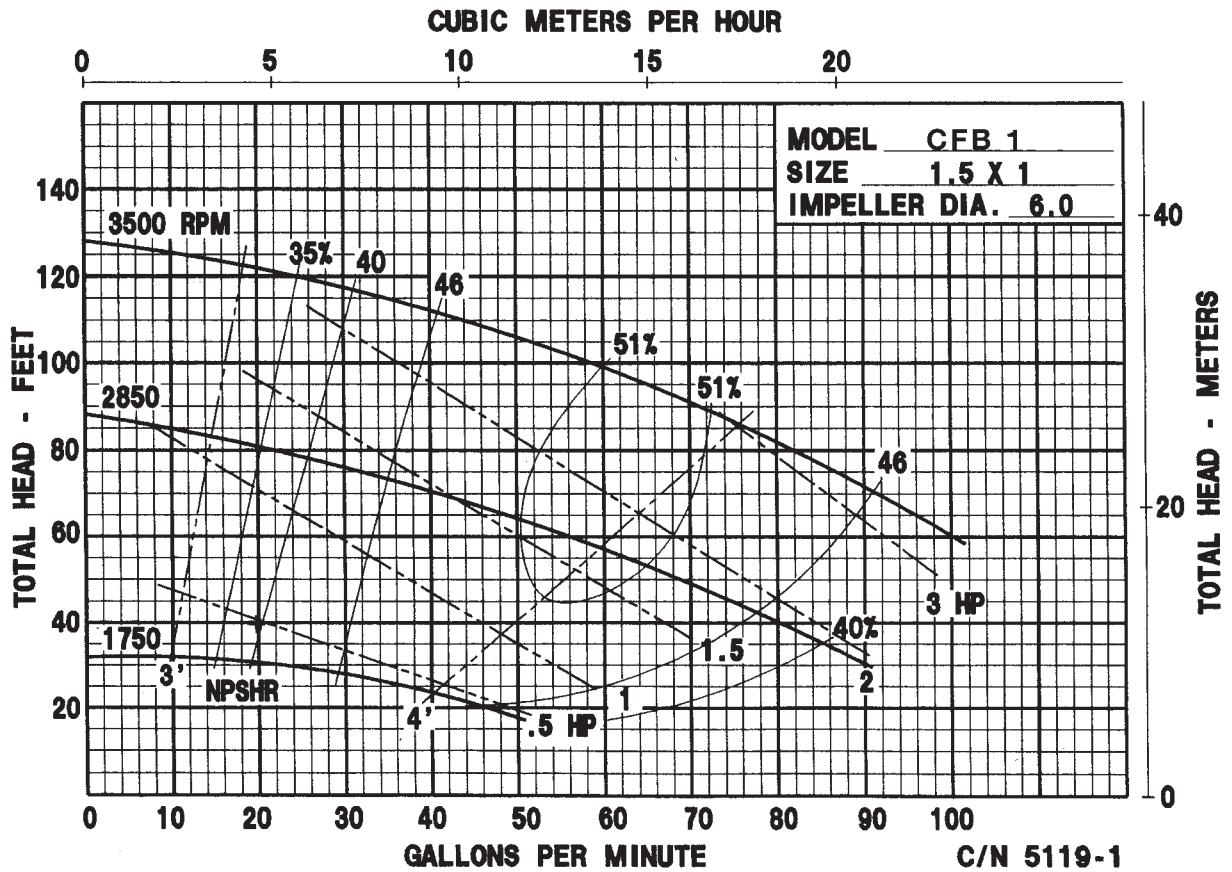
- Marine
- Industrial

## CLOSE COUPLED, ELECTRIC MOTOR



## PEDESTAL MOUNT





34800 BENNETT • FRASER, MI 48026-1686  
 (586) 293-8240 • FAX (586) 293-8469  
 (800) 563-8006 • www.mppumps.com