

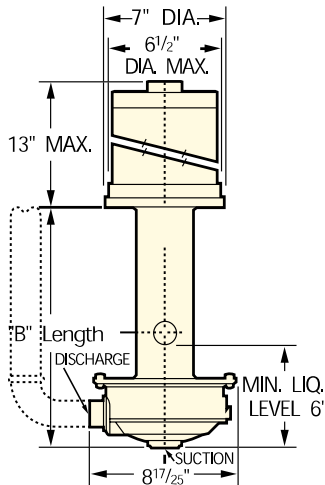


HSP Series

Performance, reliability, quality of construction and premium materials are features that will make the HSP your choice in pumps. HSP pumps feature a seal-less design to eliminate leaking and reduce maintenance time and cost over the life of the pump.



HSP



HSP SERIES SPECIFICATIONS

These powerful pumps deliver up to 175 GPM @ 55 PSI to meet the most demanding fluid pumping needs. This stainless steel pump is ideal for a multitude of applications where conventional cast iron pumps are not suitable or where corrosion resistance is necessary.

HSP pumps provide high performance capabilities with the reliability of stainless steel construction at an affordable price. For the cost of cast iron, you can upgrade your existing pumps to this series of stainless steel immersion pumps. The durable, fabricated stainless steel construction resists corrosion and is suitable for use in a variety of chemical environments. Select 14" or the 24" for deeper tanks without requiring use of a tailpipe.

All Models: 230/460V, 60/50Hz, 3 Ph motors, Horizontal Discharge. Maximum viscosity: 400 SSU.

HSP115: 1-1/2 HP, TEFC, 1 1/4" discharge x 1 1/2" suction

HSP120: 2 HP, TEFC, 1 1/4" discharge x 1 1/2" suction

HSP130: 3 HP, TEFC, 1 1/4" discharge x 1 1/2" suction

HSP150: 5 HP, ODP, 1 1/4" discharge x 1 1/2" suction

HSP230: 3 HP, TEFC, 1 1/2" discharge x 2" suction

HSP250: 5 HP, ODP, 1 1/2" discharge x 2" suction

MATERIALS:

Pump Body and Volute: AISI 316L stainless steel

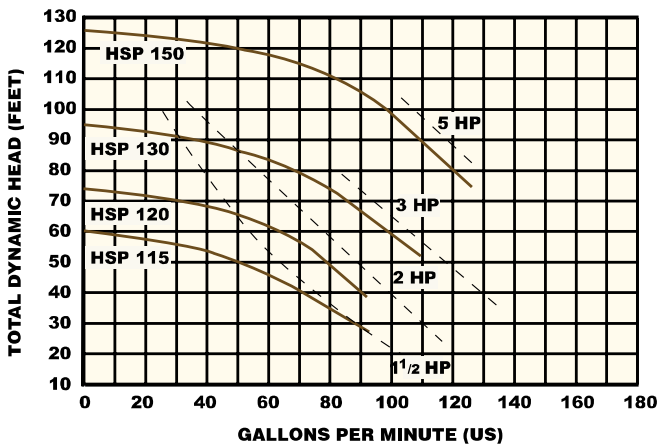
Impeller, Column and Shaft: AISI 316L stainless steel

Casing and Impeller O-Rings: Viton

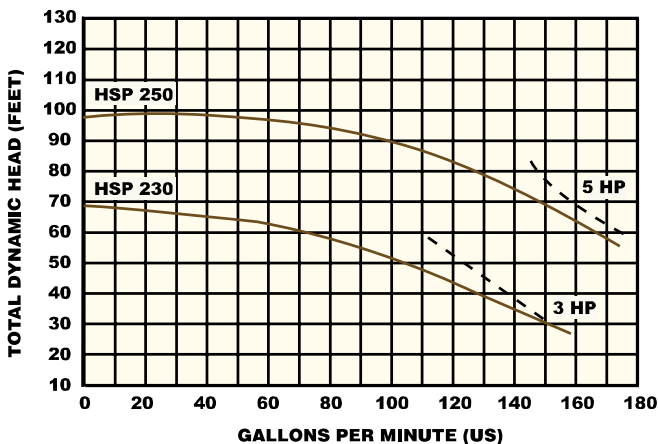
Motor Lip Seal: Teflon

Bushing: Stainless steel

HSP100



HSP200



B LENGTH	MODEL	HP	MOTOR VOLTAGE
14"	HSP115-F14	1-1/2	F,Z
24"	HSP115-F24	1-1/2	F,Z
14"	HSP120-F14	2	F,Z
24"	HSP120-F24	2	F,Z
14"	HSP130-F14	3	F,Z
24"	HSP130-F24	3	F,Z
14"	HSP150-F14	5	F,Z
24"	HSP150-F24	5	F,Z
14"	HSP230-F14	3	F,Z
24"	HSP230-F24	3	F,Z
14"	HSP250-F14	5	F,Z
24"	HSP250-F24	5	F,Z