

VP Series



VP Series pumps are specially designed to withstand highly abrasive and/or caustic liquids. The high strength glass-filled thermoplastic construction of these pumps provides a cost-effective alternative to brass or stainless steel.

VP SERIES SPECIFICATIONS

All VP Series pumps have permanently lubricated sealed ball bearing motors with guards in pump column to protect motor from splashing and vapors. A labyrinth chamber above the volute eliminates splashing at low liquid levels. Celcon, a tough glass-filled thermoplastic combining high mechanical strength, stiffness and stability through a broad range of temperatures, is used in all VP Series pumps and impellers. Pump performance, maximum viscosity and motors available for each model are shown below. Most pumps available as a Pump/Tank combination. See pages 24 thru 28 or consult factory.

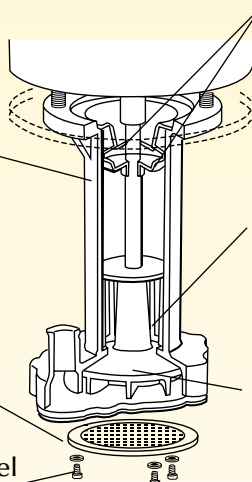
- All Models:** 5/8" O.D. slip-on vertical discharge.
- VP20:** 1/25 HP, 1550 RPM, fan cooled, overload protection. Maximum viscosity: 250 SSU.
- VP30:** 1/15 HP, 3000 RPM, fan cooled, overload protection. Maximum viscosity: 250 SSU.
- VP40:** Similar to VP30, but larger impeller delivers higher flow rate. Maximum viscosity: 250 SSU.
- VP50:** 1/8 HP, 3450 RPM. Maximum viscosity: 400 SSU.

MATERIALS:

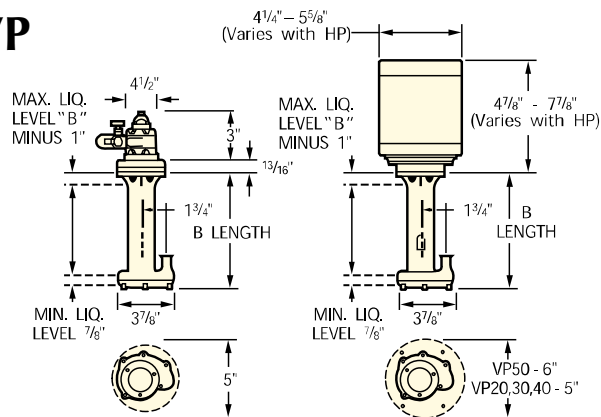
- Pump Body, Volute and Impeller:** Glass-filled Celcon
- Shaft:** VPJ models, 416 stainless steel
VPM models, 316 stainless steel

CONSTRUCTION FEATURES

- Hi-strength heavy wall pump body (choice of "B" lengths 5", 8" and 10")
- Exclusive motor guard assembly to provide maximum protection against splash and vapor
- Labyrinth chamber for fast priming and low level liquid operation
- One piece molded 6 vane impeller pre-balanced for smooth efficient operation
- Molded plastic intake screen
- Stainless steel fasteners



VP

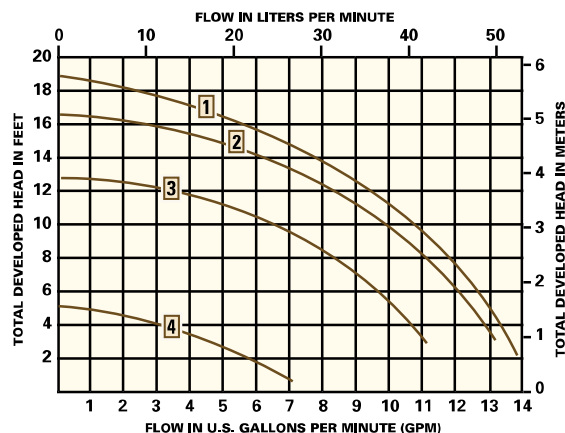


Air Motor

20, 30, 40, 50

VP ORDER INFORMATION

B LENGTH	MODEL	HP	VOLTAGE SUFFIX
5"	VPJ25	1/25	A, B
5"	VPJ35	1/15	A, B
8"	VPJ38	1/15	A, B
10"	VPJ310	1/15	A, B
5"	VPM35	1/15	A, B
8"	VPM38	1/15	A, B
10"	VPM310	1/15	A, B
5"	VPJ45	1/15	A, B
8"	VPJ48	1/15	A, B
10"	VPJ410	1/15	A, B
5"	VPM45	1/15	A, B
8"	VPM48	1/15	A, B
10"	VPM410	1/15	A, B
5"	VPJ55	1/8	A, B, F, GAM
8"	VPJ58	1/8	A, B, F, GAM
10"	VPJ510	1/8	A, B, F, GAM
5"	VPM55	1/8	A, B, F, GAM
8"	VPM58	1/8	A, B, F, GAM
10"	VPM510	1/8	A, B, F, GAM



- 1. VP50 Series, 1/8 HP, water
- 2. VP40 Series, 1/15 HP, water
- 3. VP30 Series, 1/15 HP, water
- 4. VP20 Series, 1/25 HP, water