

# Specialty Pumps and Tanks

These pumping systems offer special design features or operating characteristics that allow them to be used in applications where more traditional systems don't fit or work well. Details like built-in sumps, internal agitation, compact footprint or low profiles provide the flexibility required to fit those special applications.



## 5 GALLON ROUND TANK SYSTEM

The 5-HR35 tank system can be used for light oils and other liquids to 150 SSU.

**5-HR35:** 1/25 HP, 1500 RPM, 1/2" NPT discharge pump with 6' cord, plug and switch, 4' neoprene 1/2" ID hose, 1/4" ID flexible metal nozzle and valve, mesh screen bowl. May be ordered without hose and nozzle.

**5-SG1:** 1/25 HP, 1500 RPM, 3/8" NPT discharge gear pump with 6' cord, plug and switch, 4' neoprene 3/8" ID hose, flexible metal nozzle and valve, 18 mesh screen bowl. May be ordered without hose and nozzle.

The 5-SG1 system is recommended for applications requiring consistently high pressure utilizing liquids that have some lubricating value and relatively free of abrasives and scale. Maximum viscosity: 2,000 SSU.

## AGITATOR ROUND TANK SYSTEMS

These systems are designed for a wide variety of liquids that require constant circulation to maintain uniform viscosity or contain solids which must be kept in suspension. This is accomplished by use of a by-pass in the volute that diverts some of the flow from the discharge in the pump base. Polyethylene tank liners are available for easier clean-up and additional resistance to corrosion and abrasion. All motors 1725 RPM. For additional information on pumps see Agitator Series on page 9.

**2-HRTG:** 2 gallon stainless steel tank, 1/8 HP, 1/2" NPT discharge. Maximum viscosity: 500 SSU. Delivers 2 GPM at 10' head.

**10-TNRT:** 10 gallon mild steel tank with nickel plated lid, 1/4 or 1/2 HP, 3/4" NPT discharge. Maximum viscosity: 500 SSU.

**20-TNRT:** 20 gallon mild steel tank with nickel plated lid, 1/4 or 1/2 HP, 1" NPT discharge. Maximum viscosity: 500 SSU.

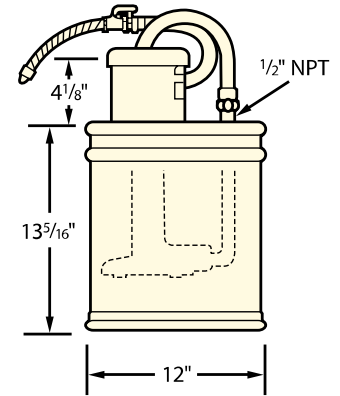
**30-TNRT:** 30 gallon mild steel tank with nickel plated lid, 1/4 or 1/2 HP, 1" NPT discharge. Maximum viscosity: 500 SSU.

## AGITATOR STAINLESS STEEL SYSTEMS

All three systems feature stainless steel pumps with 3/4" NPT discharge and stainless steel tanks and lids. Maximum viscosity: 500 SSU. Delivers 15 GPM at 14' head. Available in 10, 20 and 30 gallon sizes. See chart at right for model numbers for all Agitator Systems.

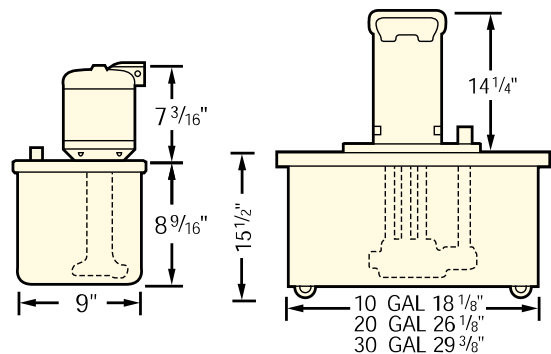
**Poly tank liners available for all Agitator systems. See page 35.**

## 5 Gallon Round



MODEL	PUMP MODEL	VOLTAGE SUFFIX	APPROX. GPM (WATER) AT SPECIFIED FT.			
<b>5 GALLONS</b>			<b>4</b>	<b>6</b>	<b>8</b>	<b>9</b>
5-HR35	HR35	A, B	10	8	5	2
5-SG1	SG1	A, B	1 GPM @ 10 PSI, Max 22 PSI			

## Agitator Round Tank Systems



HRTG

TNR/TNRSS

MODEL	PUMP MODEL	VOLTAGE SUFFIX
<b>AGITATOR ROUND TANK SYSTEMS</b>		
2-HRTG	HRTG	A, E, F, GAM
10-TNRT	TNRT36	E, F, GAMC
20-TNRT	TNRT36	E, F, GAMC
30-TNRT	TNRT36	E, F, GAMC
<b>STAINLESS STEEL AGITATOR SYSTEMS</b>		
10-TNRSS	TNRSS36	E, F, GAMC
20-TNRSS	TNRSS36	E, F, GAMC
30-TNRSS	TNRSS36	E, F, GAMC