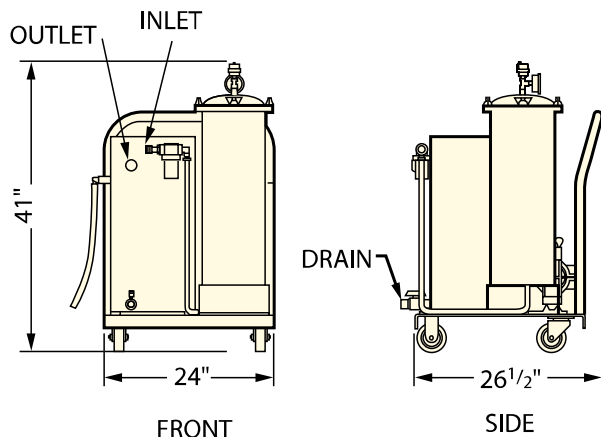


Oil Separator

Portable coolant-conditioning system combines a filtration system and oil/water separator to remove tramp oils from water-based coolants used in typical machining centers while removing solids/fines during this process.



OSEP-2



OSEP-2 FEATURES

Using proven oil removal principals, the OSEP2 enhances the workplace environment by helping to keep bacterial levels to a minimum and eliminates “smoking” caused by oils in the coolant coming in contact with hot tooling. It makes the workplace more environmentally friendly and can eliminate the need for costly, noisy, oil mist collectors.

A 2'x2' footprint, 17 gallon capacity and heavy-duty casters give the OSEP2 a compact and mobile design allowing it to be easily moved from machining center to machining center throughout the plant. Requires only a 50 PSI air connection. No electrical connection is needed.

By maintaining the quality of the machine-tool coolant, the life of the coolant will be extended far beyond its usual effectiveness. Fewer change-outs equate to fewer dollars spent on haul-away and replacement coolant.

- Removes free and mechanically emulsified oil
- Removes suspended solids
- Unique floating skimmer assembly installs easily on existing equipment
- Continuously maintains quality of coolant and extends coolant life
- Eliminates odors
- Continuous and unattended cleaning of sump
- Easily serviced without shutting down primary system
- Portable, easily moved from machining center to machining center

OSEP 2 ORDER INFORMATION

FLOW RATE	2 GPM
SYSTEM PUMP	Air operated double diaphragm pump features polypropylene construction with Hytrel diaphragm.
PLANT AIR INLET	1/4" FNPT filter vessel. Stainless steel construction. This unit accepts one disposable, pleated media cartridge.
MAXIMUM OPERATING PRESSURE	50 psi
CAPACITY	17 gallons

Note: The oil separator is intended for water-based coolants and will not function with solvent-based or chemically emulsified fluids. Consult customer service for details at 1-888-GRAYMIL.

REPLACEMENT CARTRIDGES

767-90700	Standard cartridge
767-90706	Optional cartridge for fine particulate removal
767-90707	Optional cartridge for extra-fine particulate removal

TYPICAL APPLICATION

