

MP PUMPS, INC.

HHLF "HR" HIGH HEAD

Self-Priming Centrifugal Pump

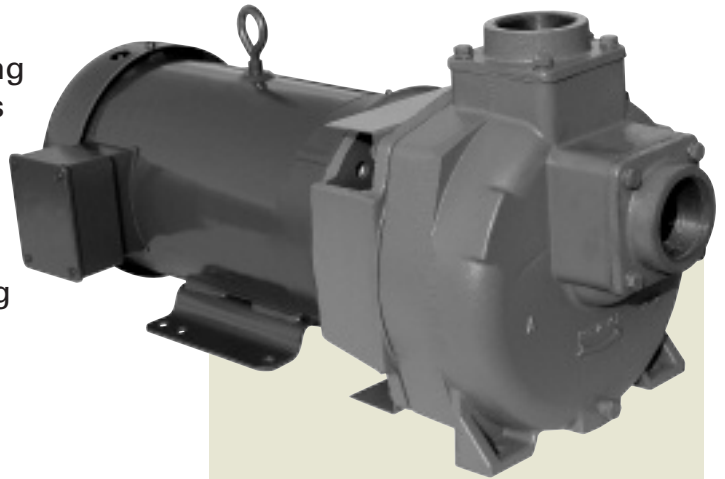


HHLF "HR" high pressure self-priming pumps meet USCG specifications for auxiliary fire control.

The high suction centerline and impeller design eliminates premature priming loss while ensuring consistent priming capability. The HHLF pump is capable of achieving up to 25 feet suction lift.

The HHLF series is available close coupled to NEMA "C" Face electric motors or as *pumpaks*. The engine drive models are capable of coupling to both gasoline and diesel engines with 1" keyed drive shafts. Pedestal mounted pumps are also available.

The volute and impeller are removable and easily replaced.



SPECIFICATIONS:

Suction and Discharge . . . 1 1/2" x 1 1/2" NPT 2" x 2" NPT
Housing Cast Iron Class 30 or Silicon Bronze CA 875
Volute Cast Iron Class 30 or Silicon Bronze CA 875
Impeller Cast Iron Class 30 or Silicon Bronze CA 875
Adaptor Cast Iron Class 30 or Silicon Bronze CA 875
Drive Sleeve 304 Stainless Steel
Seal, Type 21 Carbon/Ceramic/Viton Optional Seals Available
Fasteners Stainless Steel

MOUNTING OPTIONS:

- Close Cpld to 182/184TC Motor Frame
- Pumpak
- Engine Drive
- Pedestal
- Hydraulic Drive

FLOWS TO 140 GPM

PRESSURES TO 190 TDH

APPLICATION:

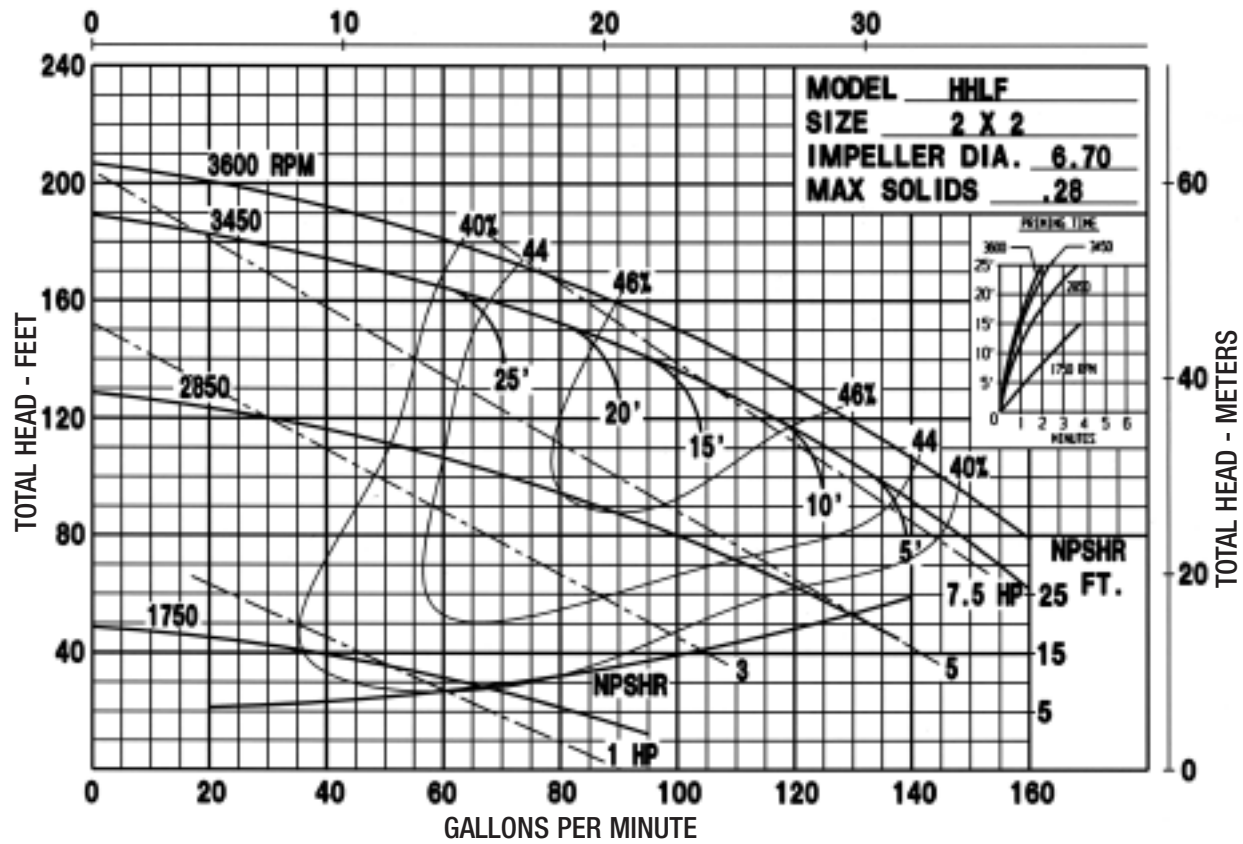
- Marine
- Agricultural
- Industrial

ABS TYPE APPROVED

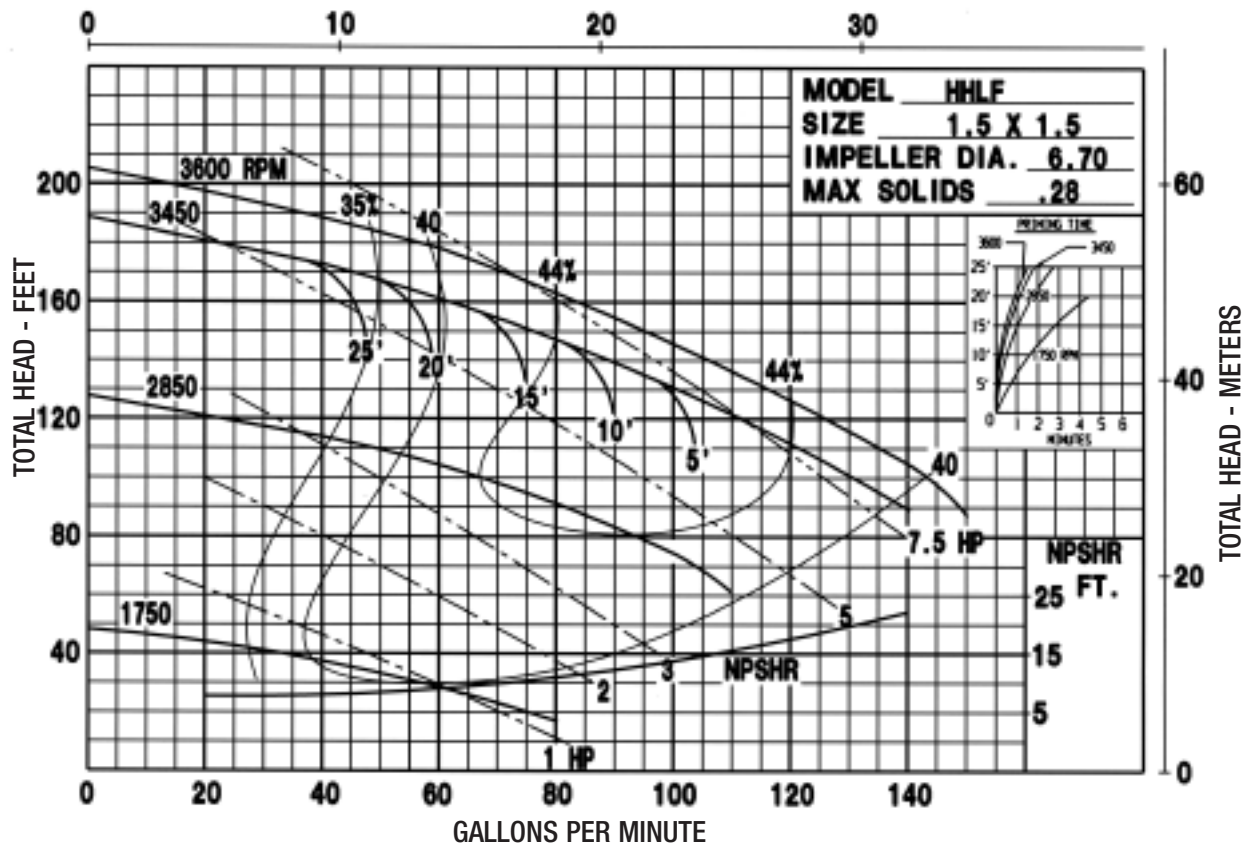
46 CFR COMPLIANT

HHLF

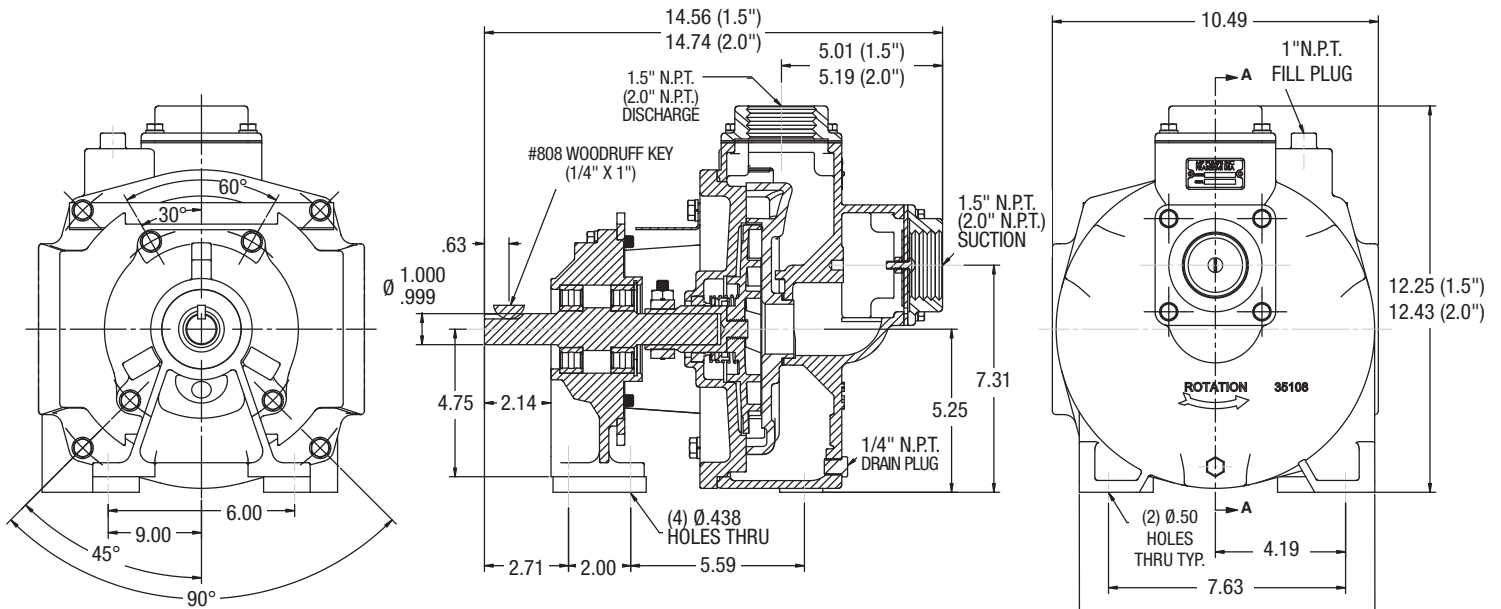
CUBIC METERS PER HOUR



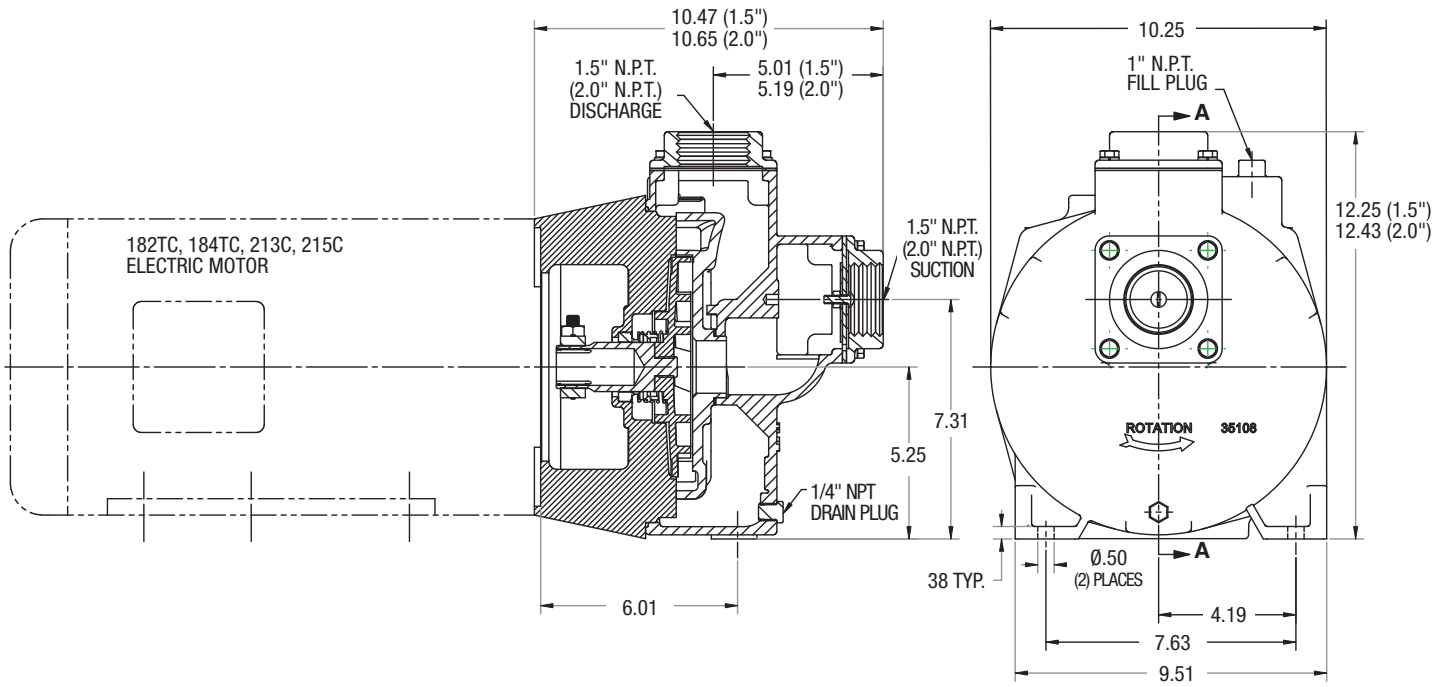
CUBIC METERS PER HOUR



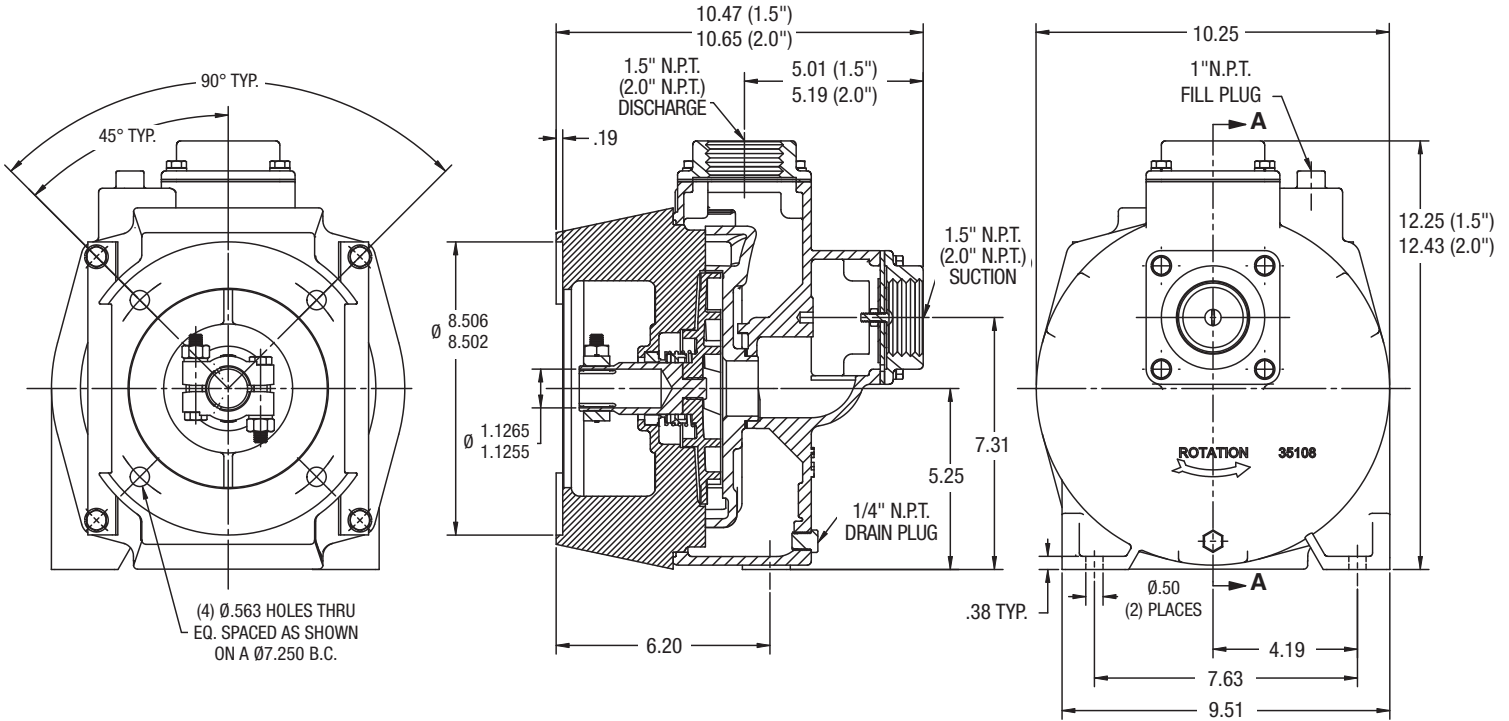
HHLF 1.5" (2.0") PEDESTAL PUMP



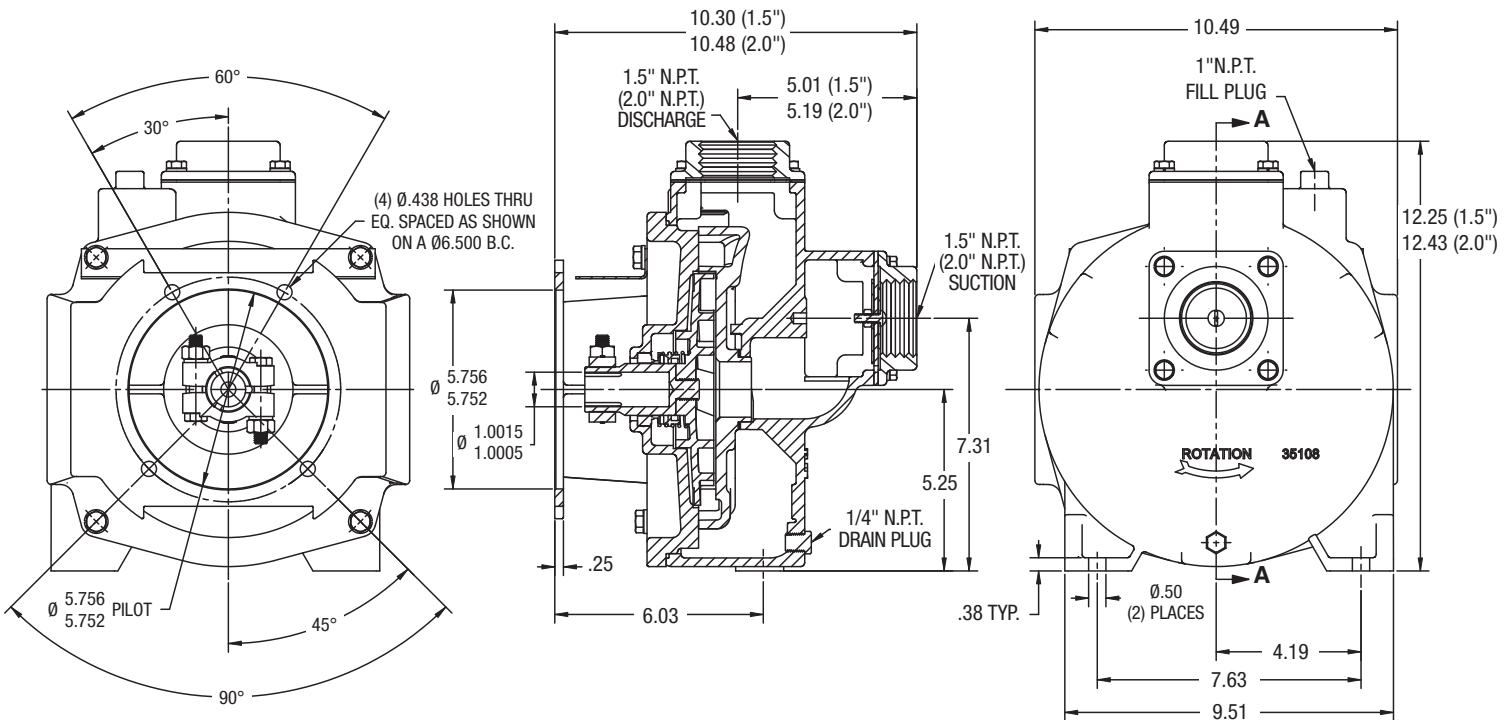
HHLF 1.5" (2.0") CLOSE COUPLED ELECTRIC MOTOR



HHLF 1.5" (2.0") CLOSE COUPLED MTR PUMPAK



HHLF 1.5" (2.0") ENGINE MOUNT PUMPAK



34800 BENNETT • FRASER, MI 48026-1686
 (586) 293-8240 • FAX (586) 293-8469
 (800) 563-8006 • www.mppumps.com