



HTO 180

3" x 1½"

CENTRIFUGAL PUMP

AIR COOLED – NO COOLING JACKET OR FLUSH REQUIRED

HTO 180 is a patented, unique centrifugal pump designed for high temperature applications, such as the plastics, chemical, food and processing industries. The pump can be used in horizontal or vertical positions and is available with or without an electric motor.

PUMP SPECIFICATIONS

Suction and Discharge	3" x 1½" 150# Flange
Housing	Ductile Iron
Drive Sleeve	303SS
Standard Seal	Carbon/Silicon Carbide and Viton
Working Pressure	150 psi (max)
Temperature	650°F (343°C) (max)

CLOSE-COUPLED NEMA 184TC & 215TC

7-1/2 H.P. • 10 H.P.



WARNING

Consult factory for applications approval and usage. Serious injury or death caused by burns from hot oil may occur.

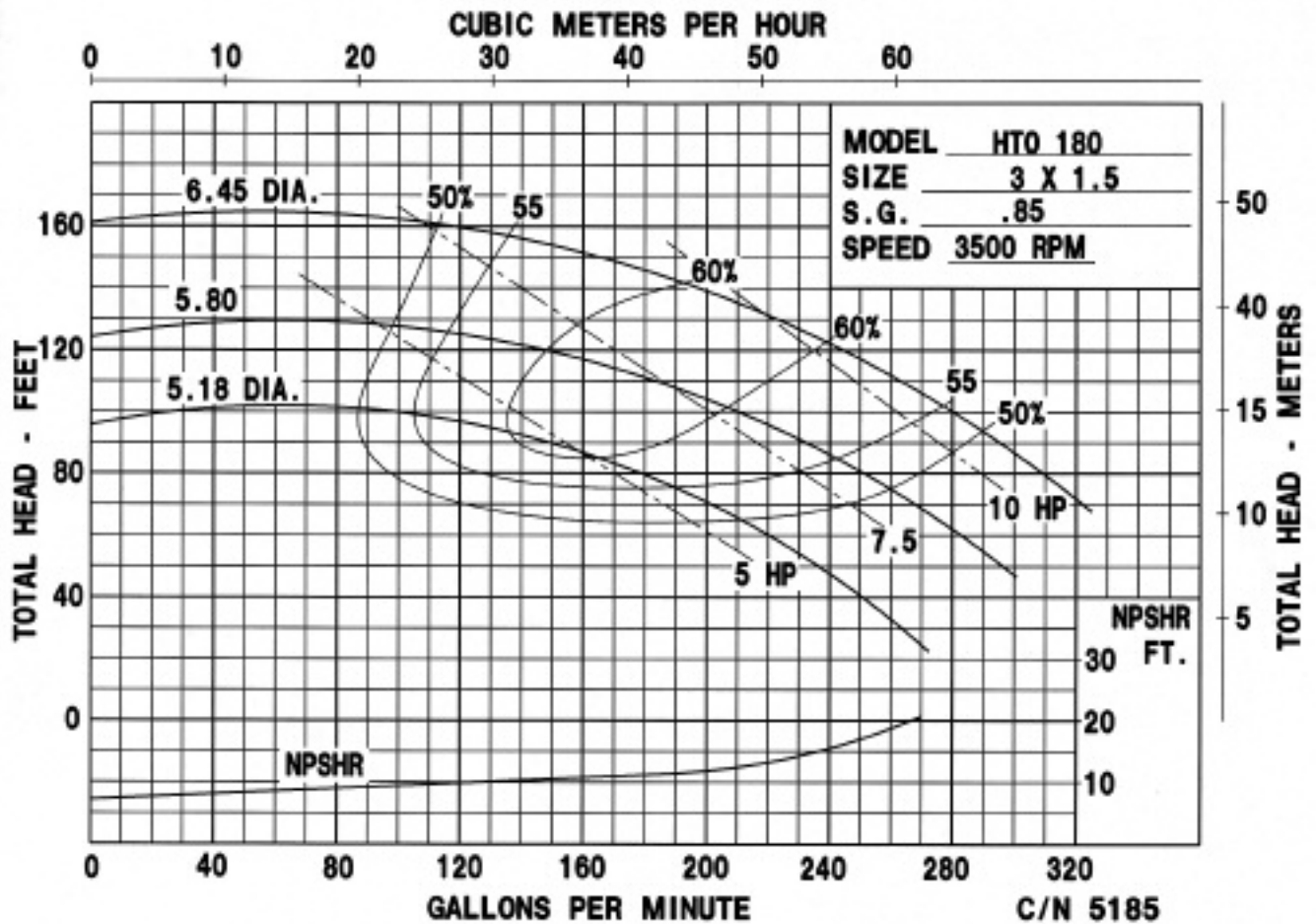
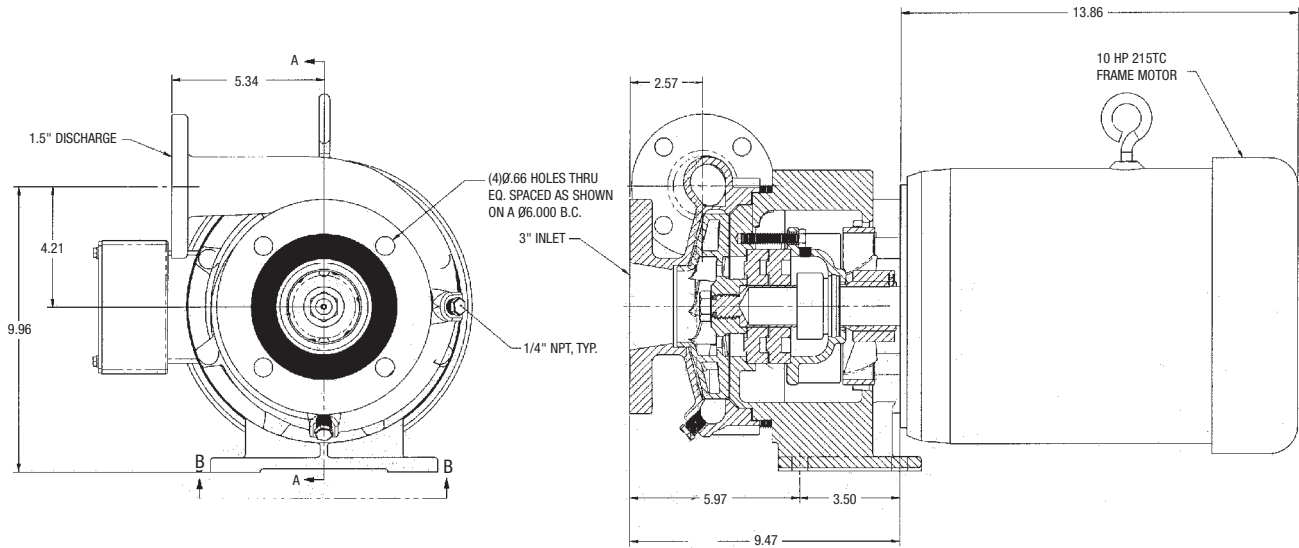


MP PUMPS, INC.

34800 BENNETT • FRASER, MI 48026-1686
(586) 293-8240 • FAX (586) 293-8469
(800) 563-8006 • www.mppumps.com

- Flows To 320 GPM
- Pressure To 162'
- Mounts Vertical Or Horizontal
- With Or Without Electric Motor
- Bearing Pedestal Available
- Optional Severe Duty Seal Available

HTO 180



MP PUMPS, INC.

34800 BENNETT • FRASER, MI 48026-1686
 (586) 293-8240 • FAX (586) 293-8469
 (800) 563-8006 • www.mppumps.com

www.mppumps.com

FORM 8127 (05/06)
 Litho in USA