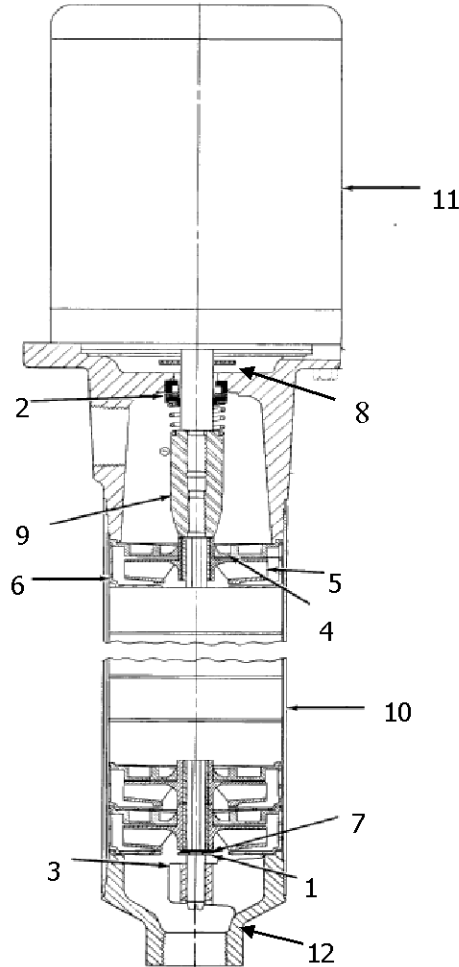


# MSPR REPAIR PARTS



REF.#	PART NO.	DESCRIPTION
1	789-08090	CLIP RING
2	789-08092	SEAL (CARBON/CERAMIC/VITON)
3	789-90317	BEARING
4	789-08089	DIFFUSER
5	789-08088	IMPELLER
6	789-08429	BOWL
*	789-09502	SHIM, IMPELLER (3 PER STAGE)
7	789-90318	O-RING, SHAFT
8	744-11817	SLINGER, POLYETHYLENE 1.5"
*	789-90319	O-RING, CASING (2 PER PUMP)
9	789-90310	SHAFT & COUPLING ASSY - MSPR5
	789-90320	SHAFT & COUPLING ASSY - MSPR7
	789-90387	SHAFT & COUPLING ASSY - MSPR9
	789-90388	SHAFT & COUPLING ASSY - MSPR13
10	789-90312	CASING - MSPR5
	789-90382	CASING - MSPR7
	789-90383	CASING - MSPR9
	789-90323	CASING - MSPR13
11	789-08082	MOTOR - 1HP (MSPR5)
	789-08083	MOTOR - 1.5HP (MSPR7)
	789-08084	MOTOR - 2HP (MSPR9)
	789-08819	MOTOR - 3HP (MSPR13)
12	789-90321	SUCTION HEAD
*	NOT SHOWN	