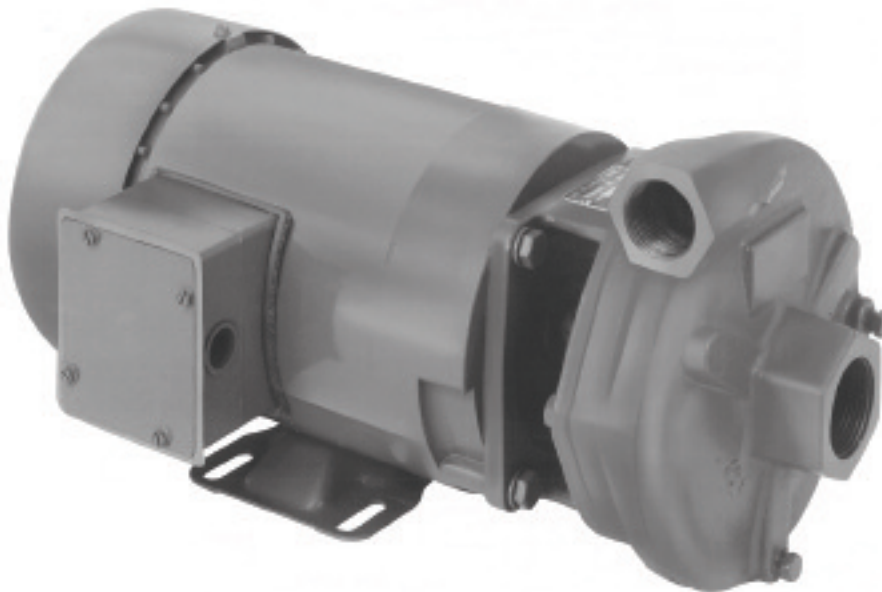


SERIES 60

1 1/4" x 1" CENTRIFUGAL PUMP



Series 60 high pressure centrifugal pumps are close-coupled to standard NEMA "C" face motors. Open adaptor protects motor.

All fasteners are stainless steel to reduce corrosion. Impellers are enclosed and balanced to improve efficiency and bearing life.

Standard stainless steel and Viton mechanical seal is self-adjusting and corrosion resistant to handle almost any liquid.

Completely tested pumps are available with or without motors and can be mounted to standard "C" frame motors with feet in just minutes.

PUMP SPECIFICATIONS

Suction & Discharge	1-1/4" x 1"
Housing	Cast iron with either vertical or horizontal discharge.
Impeller	Bronze
Shaft Sleeve	Stainless steel to fit 5/8" shaft.
Fasteners	All stainless steel.
Seal	Standard Viton. Special seal material combinations available. (Consult the factory).

Close-Coupled to
Electric Motor

OR

Pumpak Only to Mount
to Standard NEMA "C"
Face Motor

1 HP • 1 1/2 HP • 2 HP

UP TO 60 GPM
UP TO 48 PSI

AVAILABLE:

- WITH VERTICAL OR HORIZONTAL DISCHARGE
- WITH OR WITHOUT ELECTRIC MOTOR



MP PUMPS, INC.

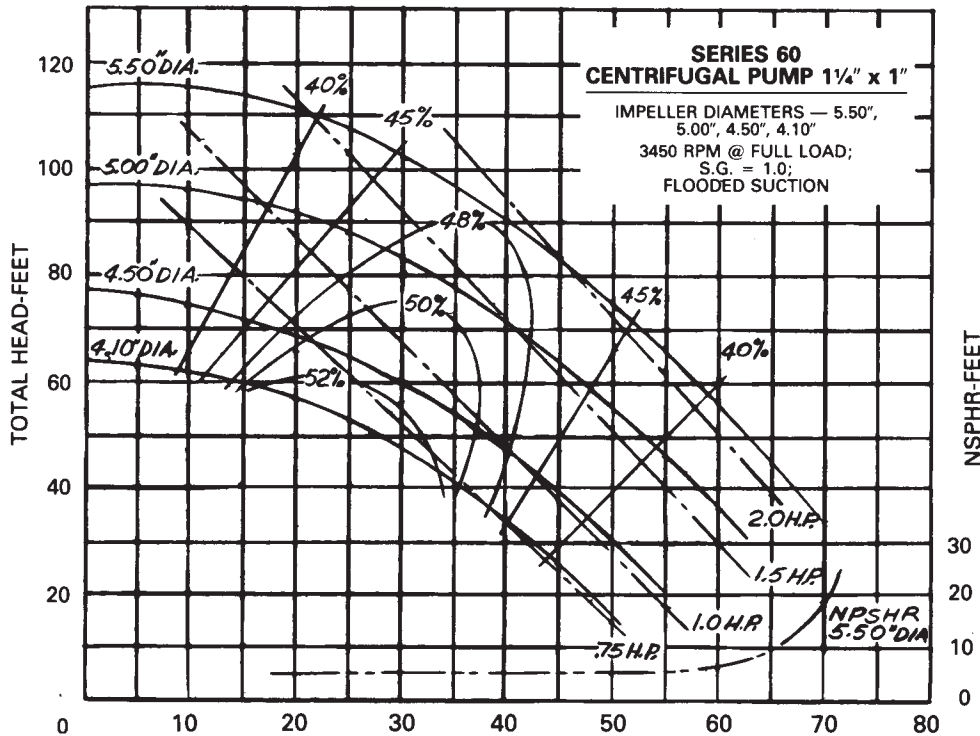
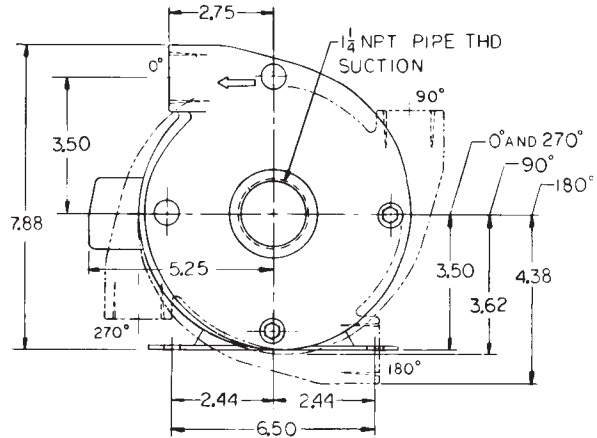
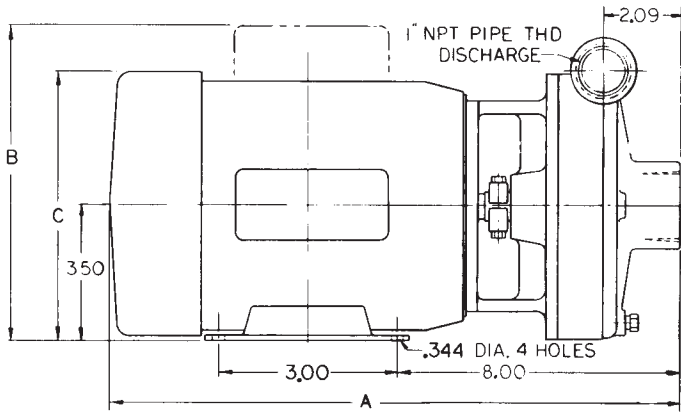
34800 BENNETT • FRASER, MI 48026-1686
(586) 293-8240 • FAX (586) 293-8469
(800) 563-8006 • www.mppumps.com

SERIES 60

1 1/4" x 1"

HIGH PRESSURE CENTRIFUGAL ELECTRIC MOTOR DRIVE

60 SERIES		MOTOR-3450 RPM				DIMENSION		
MODEL	FRAME	H P	PH	ENCL	A	B	C	
	56C	3/4	1	ODP	16,50	9,12	6,88	
	56C	3/4	3	ODP	16,50		6,88	
27728	56C	3/4	1	TEFC	17,78	9,12	7,16	
27729	56C	3/4	3	TEFC	17,78		7,16	
	56C	1	1	ODP	16,50	9,12	6,88	
	56C	1	3	ODP	16,50		6,88	
27674	56C	1	1	TEFC	18,78	9,12	7,16	
27675	56C	1	3	TEFC	17,78		7,16	
	56C	1 1/2	1	ODP	17,50	9,12	6,88	
	56C	1 1/2	3	ODP	16,50		6,88	
27671	56C	1 1/2	1	TEFC	18,78	9,12	7,16	
27672	56C	1 1/2	3	TEFC	17,78		7,16	
	56C	2	1	ODP	17,50	9,12	6,88	
	56C	2	3	ODP	16,50		6,88	
27668	56C	2	1	TEFC	19,67	9,12	7,16	
27669	56C	2	3	TEFC	18,78		7,16	



MP PUMPS, INC.

34800 BENNETT • FRASER, MI 48026-1686
 (586) 293-8240 • FAX (586) 293-8469
 (800) 563-8006 • www.mppumps.com