



200 GPM 2" x 1½"

Series 120 centrifugal pumps are close-coupled to standard NEMA JM motors. A special adaptor protects the motor. All models are available in cast iron with a bronze impeller, or all bronze construction to suit a wide variety of liquids.

All fasteners are stainless steel to reduce corrosion. Enclosed impellers are dynamically balanced to improve efficiency and bearing life.

Standard carbon/ceramic and Viton mechanical seal is self adjusting and corrosion resistant to handle almost any liquid.

Completely tested "Wet End" pumps are available with or without motors. The MP PUMPAK can be mounted to standard JM frame motors in just minutes.

145JM — 182JM — 184JM

PUMP SPECIFICATIONS

Suction and Discharge ..	2" x 1½"
Housing	Cast iron or bronze with vertical or horizontal discharge
Impeller	Bronze—enclosed—balanced (Cast iron optional)
Fasteners	Stainless Steel or bronze
Seal	Standard carbon/ceramic Viton Special seal material available. (Consult factory)

SERIES 120

2" x 1½" CENTRIFUGAL PUMP

**Close-Coupled to
Electric Motor
PUMPAK Only to Mount
to Standard NEMA JM
Pump Motor**

3 HP • 5 HP • 7.5 HP

UP TO 200 GPM
UP TO 140 FEET HEAD

Available in:

**CAST IRON
BRONZE**

- VERTICAL OR HORIZONTAL DISCHARGE
- WITH OR WITHOUT ELECTRIC MOTOR



MP PUMPS, INC.

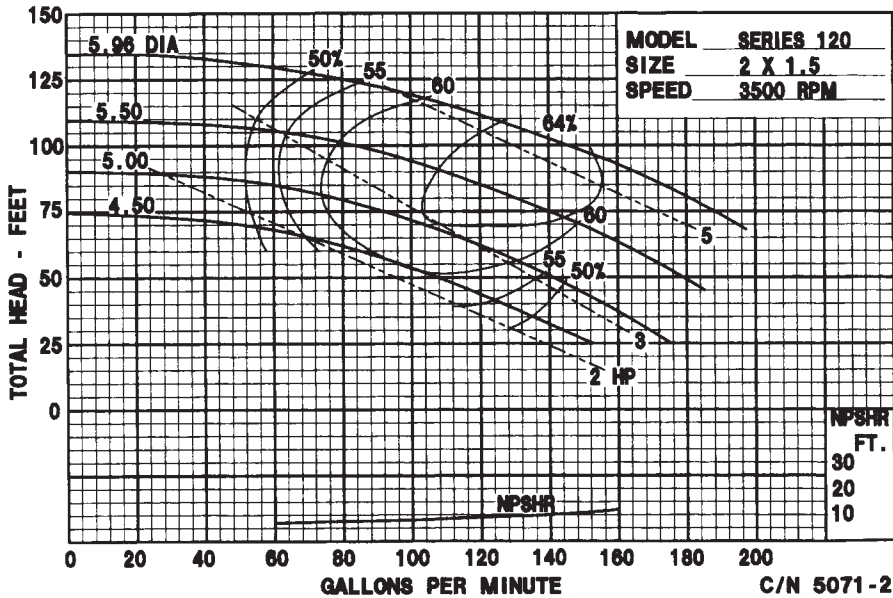
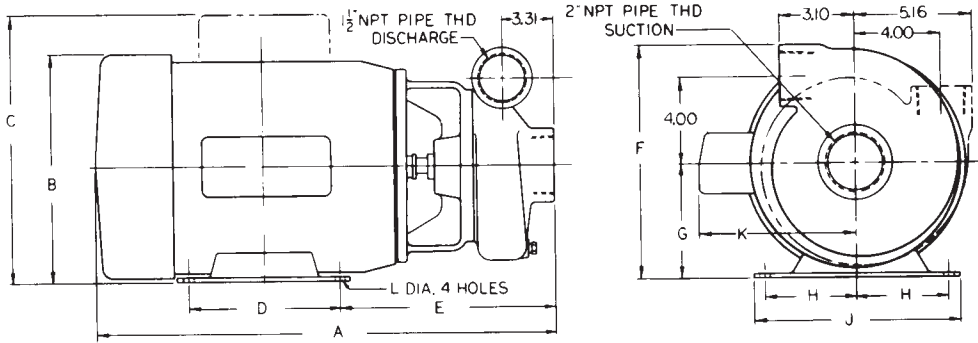
34800 BENNETT • FRASER, MI 48026-1686
(586) 293-8240 • FAX (586) 293-8469
(800) 563-8006 • www.mppumps.com

SERIES 120

2" x 1½"

HIGH PRESSURE CENTRIFUGAL ELECTRIC MOTOR DRIVE

MOTOR				A	B	C	D	E	F	G	H	J	K	L
FRAME	H P	PH	ENCL											
182JM	3	1	ODP	17.89	9.00	11.38	4.5	10.45	9.66	4.50	3.75	9.00	8.12	13/32
182JM	3	1	TEFC	17.89	9.00	11.38	4.5	10.45	9.66	4.50	3.75	9.00	8.12	13/32
145JM	3	3	ODP	20.26	6.75		5.0	9.95	8.66	3.50	2.75	6.50	5.28	11/32
182JM	3	3	TEFC	17.89	9.00		4.5	10.45	9.66	4.50	3.75	9.00	8.12	13/32
184JM	5	1	ODP	18.89	9.00	11.38	5.5	10.45	9.66	4.50	3.75	9.00	8.12	13/32
184JM	5	1	TEFC	18.89	9.00	11.38	5.5	10.45	9.66	4.50	3.75	9.00	8.12	13/32
182JM	5	3	ODP	17.89	9.00		4.5	10.45	9.66	4.50	3.75	9.00	8.12	13/32
184JM	5	3	TEFC	18.89	9.00		5.5	10.45	9.66	4.50	3.75	9.00	8.12	13/32
184JM	7.5	3	ODP	18.89	9.00		5.5	10.45	9.66	4.50	3.75	9.00	8.12	13/32



SERIES 120
2x1½ CENTRIFUGAL PUMP
3450 RPM
SPECIFIC GRAVITY 1.0
VARIOUS DIAMETERS



34800 BENNETT • FRASER, MI 48026-1686
 (586) 293-8240 • FAX (586) 293-8469
 (800) 563-8006 • www.mppumps.com