

**160 GPM 2" x 1½"**

Series 130 high volume centrifugal pumps are close-coupled to standard NEMA "C" face motors. Open adaptor protects motor. All models are available in cast iron, bronze or aluminum construction to suit a wide variety of liquids.

All fasteners are stainless steel to reduce corrosion. Impellers are dynamically balanced to improve efficiency and bearing life.

Standard carbon/ceramic and Viton mechanical seal is self-adjusting and corrosion resistant to handle almost any liquid.

Completely tested "Wet End" pumps are available with or without motors and can be mounted to standard "C" frame motors in just minutes.

## PUMP SPECIFICATIONS

<b>Suction &amp; Discharge . . .</b>	2" x 1½"
<b>Housing . . . . .</b>	Cast iron, bronze or aluminum with either vertical or horizontal discharge.
<b>Impeller . . . . .</b>	Cast iron, bronze or aluminum
<b>Shaft Sleeve . . . . .</b>	Stainless steel to fit either ½" or ¾" shafts
<b>Fasteners . . . . .</b>	All Stainless Steel or Bronze
<b>Seals . . . . .</b>	Standard carbon/ceramic Viton. Special seal material available. (Consult the factory).



34800 BENNETT • FRASER, MI 48026-1686  
 (586) 293-8240 • FAX (586) 293-8469  
 (800) 563-8006 • www.mppumps.com

# SERIES 130

## 2" x 1½" CENTRIFUGAL PUMP

**Close-Coupled to  
Electric Motor**

**PUMPAK Only to Mount  
to Standard NEMA "C"  
Face Motor**

**1½ HP • 2 HP • 3 HP**

UP TO 160GPM  
UP TO 60 FEET HEAD

*Available in:*

**BRONZE      ALUMINUM**

**CAST IRON**

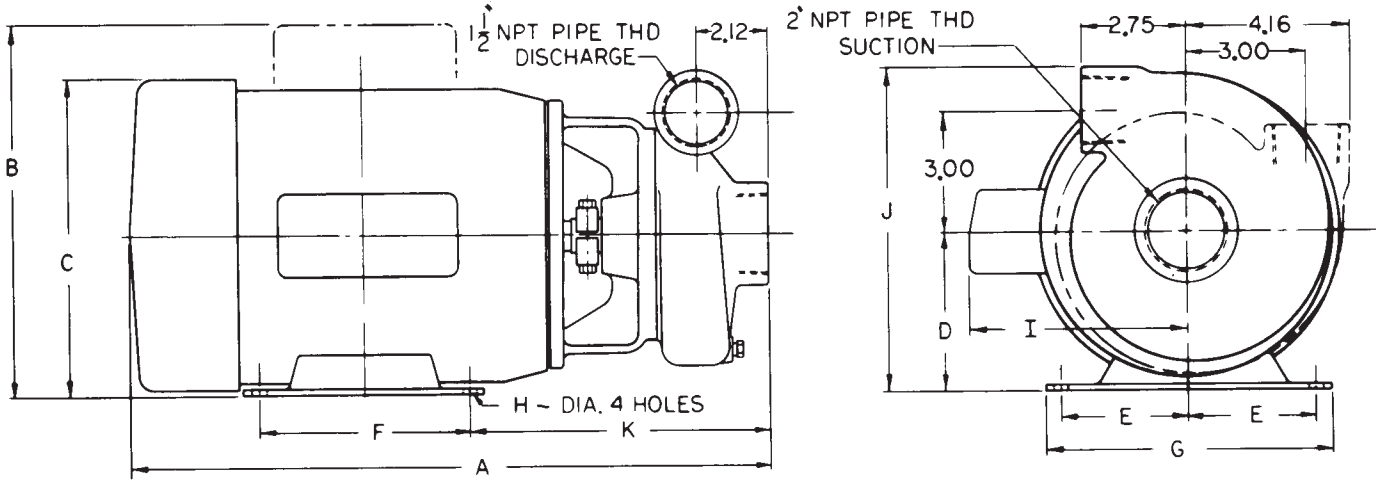
- VERTICAL OR HORIZONTAL DISCHARGE
- WITH OR WITHOUT ELECTRIC MOTOR

# SERIES 130

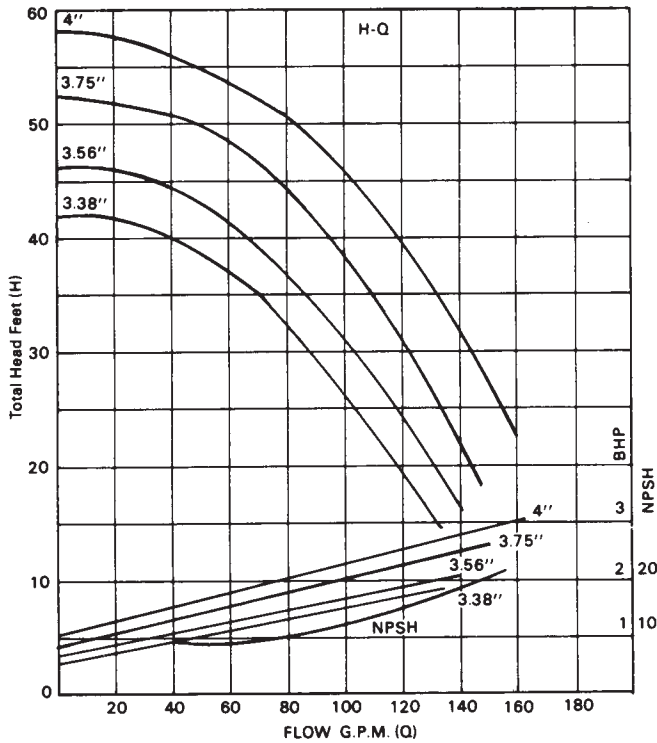
## 2" x 1 1/2"

**HIGH CAPACITY  
CENTRIFUGAL  
ELECTRIC MOTOR DRIVE**

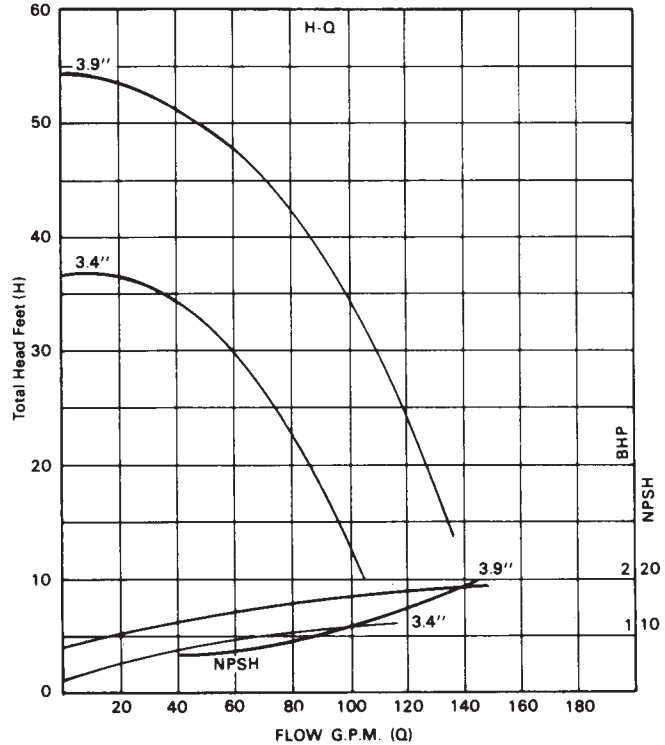
MOTOR				DIMENSION										
FRAME	H P	PH	ENCL	A	B	C	D	E	F	G	H	I	J	K
56C	1	3	TEFC	16,06		7,16	3,50	2,44	3,00	6,50	,34	5,25	7,66	8,36
56C	1,5	1	TEFC	17,06	9,12	7,16	3,50	2,44	3,00	6,50	,34	5,25	7,66	8,36
56C	1,5	3	TEFC	16,06		7,16	3,50	2,44	3,00	6,50	,34	5,25	7,66	8,36
56C	2	1	ODP	14,80	9,12	6,88	3,50	2,44	3,00	6,50	,34	5,25	7,66	8,36
56C	2	3	ODP	14,80		6,88	3,50	2,44	3,00	6,50	,34	5,25	7,66	8,36
56C	2	1	TEFC	17,92	9,12	7,16	3,50	2,44	3,00	6,50	,34	5,25	7,66	8,36
56C	2	3	TEFC	17,06		7,16	3,50	2,44	3,00	6,50	,34	5,25	7,66	8,36
145TC	2	3	ODP	14,80		6,88	3,50	2,75	5,00	6,50	,34	5,25	7,66	8,68
145TC	2	3	TEFC	17,06		7,16	3,50	2,75	5,00	6,50	,34	5,25	7,66	8,68
145TC	3	3	ODP	15,80		6,88	3,50	2,75	5,00	6,50	,34	5,25	7,66	8,68
145TC	3	3	TEFC	17,92		7,16	3,50	2,75	5,00	6,50	,34	5,25	7,66	8,68
184C	3	1	TEFC	19,36	10,68	8,75	4,50	3,75	5,50	8,62	,41	5,88	8,66	8,68
184C	3	3	ODP	16,42		8,44	4,50	3,75	5,50	8,62	,41	5,88	8,66	8,68



SERIES 130  
2 x 1 1/2 CENTRIFUGAL PUMP  
IMPELLER STYLE A  
3450 RPM S.G. = 1.0



SERIES 130  
2 x 1 1/2 CENTRIFUGAL PUMP  
IMPELLER STYLE B  
3450 RPM S.G. = 1.0



34800 BENNETT • FRASER, MI 48026-1686  
(586) 293-8240 • FAX (586) 293-8469  
(800) 563-8006 • www.mppumps.com