

320 GPM 2½" x 2"

SERIES 200

2½" x 2" CENTRIFUGAL PUMP

Series 200 high capacity centrifugal pumps are close coupled to standard NEMA "C" face motors. Adaptor protects the motor. All models are available in cast iron, or bronze construction to suit a wide variety of liquids.

All fasteners are stainless steel to reduce corrosion. Impellers are balanced to improve efficiency and bearing life.

Standard stainless steel and Viton mechanical seal is self-adjusting and corrosion resistant to handle almost any liquid.

Completely tested pump wet ends are available with or without motors and can be mounted to standard "C" frame motors.

Close-Coupled to
Electric Motor

or

Pumpak Only to Mount
to Standard NEMA "C"
Face Motor

5 HP • 7½ HP

UP TO 320 GPM
UP TO 110 FEET HEAD

PUMP SPECIFICATIONS

Suction & Discharge . . .	2½" x 2"
Housing	Cast Iron or Bronze
Impeller	Cast Iron or Bronze
Shaft Sleeve	Stainless Steel to fit 1½" shaft
Seals	Standard Viton. Special seal material combinations available. (Consult the factory).

Available in:

BRONZE CAST IRON

- VERTICAL OR HORIZONTAL DISCHARGE
- WITH OR WITHOUT ELECTRIC MOTOR



MP PUMPS, INC.

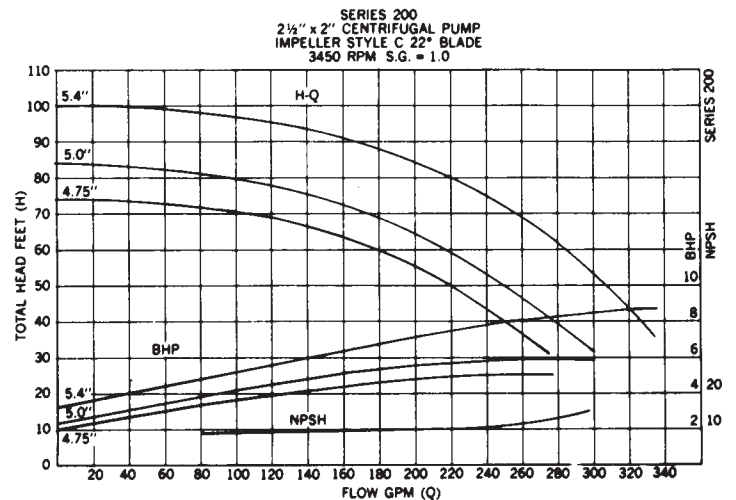
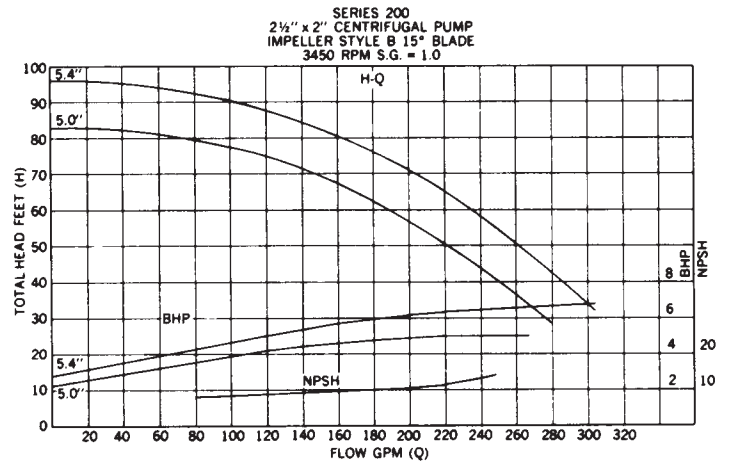
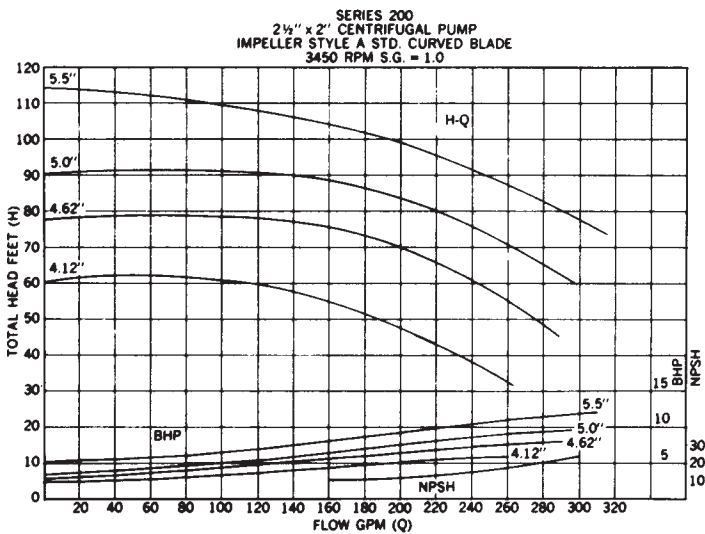
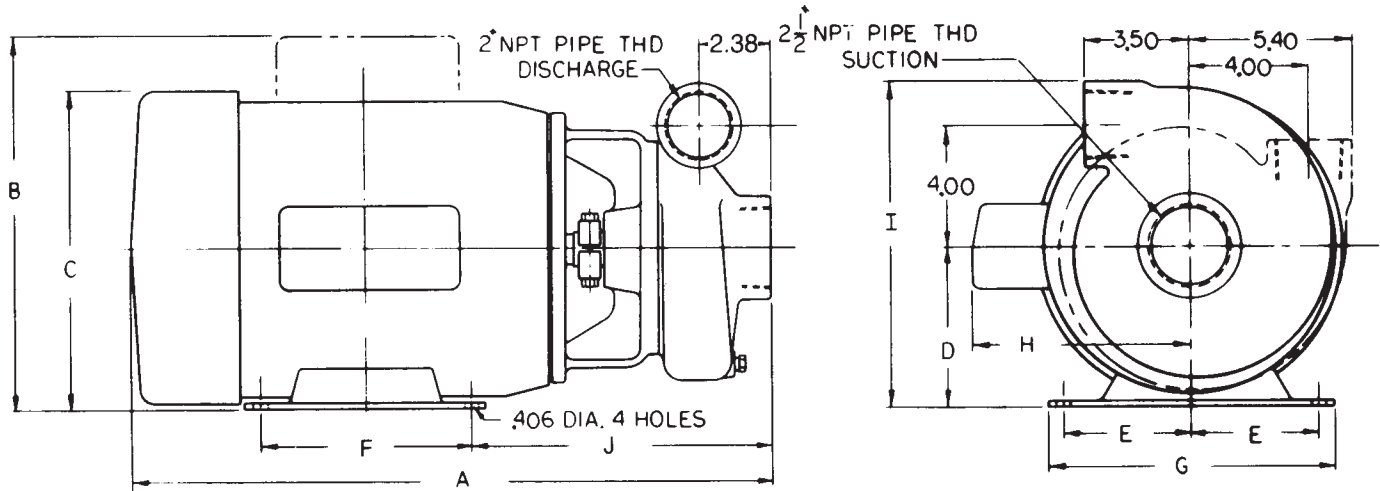
34800 BENNETT • FRASER, MI 48026-1686
(586) 293-8240 • FAX (586) 293-8469
(800) 563-8006 • www.mppumps.com

SERIES 200

2 1/2" x 2"

HIGH CAPACITY CENTRIFUGAL ELECTRIC MOTOR DRIVE

200 SERIES	MOTOR				DIMENSION										
	MODEL	FRAME	HP	PH	ENCL	A	B	C	D	E	F	G	H	I	J
	182TC	5	3	ODP	19,08		8,44	4,50	3,75	4,50	8,62	5,88	9,92	10,32	
	184TC	5	3	TEFC	20,64		8,75	4,50	3,75	5,50	8,62	5,88	9,92	10,32	
	184TC	7,5	3	ODP	19,08		8,44	4,50	3,75	5,50	8,62	5,88	9,92	10,32	
	184TC	7,5	3	TEFC	22,14		8,75	4,50	3,75	5,50	8,62	5,88	9,92	10,32	
	213C	5	1	ODP	19,02	12,82	10,06	5,25	4,25	5,50	9,50	7,38	10,66	10,45	
	213C	5	3	ODP	19,02		10,06	5,25	4,25	5,50	9,50	7,38	10,66	10,45	
	213C	5	1	TEFC	20,64	12,82	10,40	5,25	4,25	5,50	9,50	7,38	10,66	10,45	
	213C	5	3	TEFC	20,64		10,40	5,25	4,25	5,50	9,50	7,38	10,66	10,45	
	215C	7,5	3	TEFC	22,26		10,40	5,25	4,25	7,00	9,50	7,38	10,66	10,45	
	215C	10	3	TEFC	22,26		10,40	5,25	4,25	7,00	9,50	7,38	10,66	10,45	



MP PUMPS, INC.

34800 BENNETT • FRASER, MI 48026-1686
(586) 293-8240 • FAX (586) 293-8469
(800) 563-8006 • www.mppumps.com