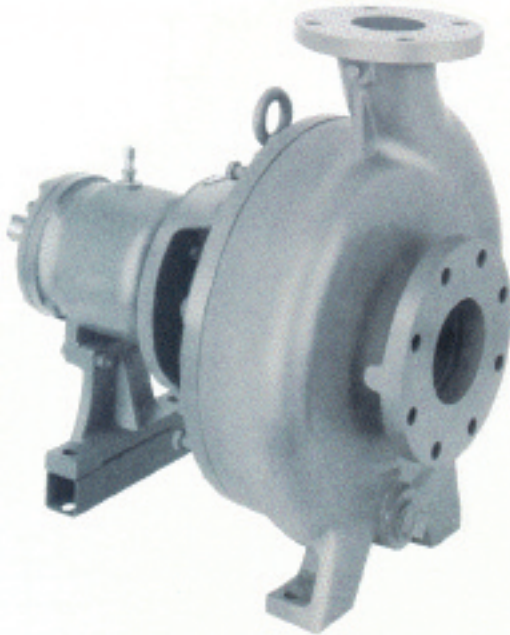


# SERIES 700

## ANSI - A-40



### 4" x 3" x 13" CENTRIFUGAL PUMP

ANSI A-40 design Series 700 centrifugal pumps are available in ductile iron construction with stainless steel fasteners and choice of either mechanical seal or stuffing box design. With enclosed impeller, capacities range to 800 GPM with heads up to 170 feet.

Enclosed impeller is dynamically balanced to improve efficiency and bearing life. Standard carbon/ceramic Viton mechanical seal is self-adjusting and corrosion resistant to handle almost any liquid. Stuffing box packing is special graphite type with lantern ring.

Tested pumps are available with or without electric motors. Various impeller diameters are available to suit different head/flow requirements.

**Pedestal ANSI PUMP  
for Belt or  
Direct Drive up to  
800 GPM Up to  
170 Feet Head**

#### PUMP SPECIFICATIONS

Suction and Discharge .....	4" x 3" 125 ANSI Flanges
Housing .....	Ductile iron
Impeller .....	Ductile iron - enclosed - balanced
Fasteners .....	Stainless steel
Seal .....	Standard carbon/ceramic Viton Stuffing box optional Special seal materials available (Consult factory) Double seal - Requires external water flush
Bearings .....	Double row - oil lubricated
Shaft .....	Steel or 316 stainless steel
Shaft sleeve .....	316 stainless steel
Seal adaptor .....	Ductile iron
Bearing Adaptor .....	Cast iron



# MP PUMPS, INC.

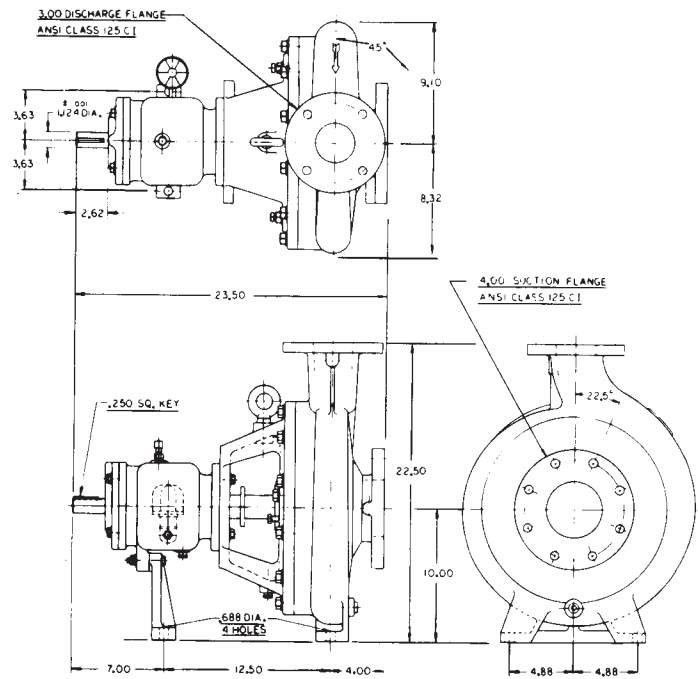
34800 BENNETT • FRASER, MI 48026-1686  
(586) 293-8240 • FAX (586) 293-8469  
(800) 563-8006 • [www.mppumps.com](http://www.mppumps.com)

**AVAILABLE IN:  
DUCTILE IRON  
ANSI DESIGN  
STAINLESS STEEL  
FITTED**

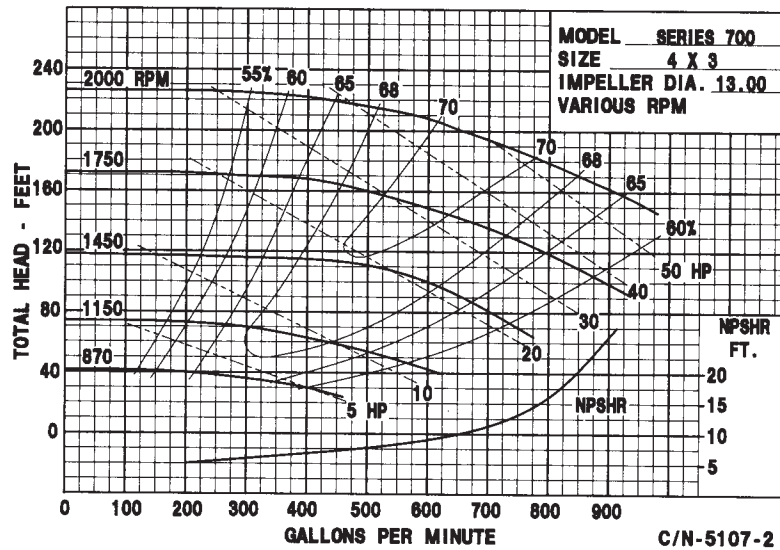
# SERIES 700

## 4" x 3" x 13"

### STRAIGHT CENTRIFUGAL ANSI DESIGN PEDESTAL PUMP



### 13" DIAMETER IMPELLER MULTI-SPEED



### 1750 RPM

