

SERIES 80

1 1/2" x 1 1/4" CENTRIFUGAL PUMP

Series 80 high pressure centrifugal pumps are close-coupled to standard NEMA "C" face motors. Open adaptor protects motor. All models are available in cast iron, bronze or aluminum construction to suit a wide variety of liquids.

All fasteners are stainless steel to reduce corrosion. Impellers are enclosed and balanced to improve efficiency and bearing life.

Standard stainless steel and Viton mechanical seal is self-adjusting and corrosion resistant to handle almost any liquid.

Completely tested pumps are available with or without motors and can be mounted to standard "C" frame motors in just minutes.

PUMP SPECIFICATIONS

Suction & Discharge	1-1/2" x 1-1/4"
Housing	Cast iron, bronze or aluminum with either vertical or horizontal discharge.
Impeller	Bronze or aluminum (Cast iron – optional)
Shaft Sleeve	Stainless steel to fit either 5/8" or 7/8" shafts
Fasteners	All Stainless Steel
Seals	Standard Viton. Special seal material combinations available. (Consult the factory).

**Close-Coupled to
Electric Motor**

or

**Pumpack Only to Mount
to Standard NEMA "C"
Face Motor**

1 1/2 HP • 2 HP • 3 HP

**UP TO 80 GPM
UP TO 55 PSI**

Available in:

**BRONZE ALUMINUM
CAST IRON**

- VERTICAL OR HORIZONTAL DISCHARGE
- WITH OR WITHOUT ELECTRIC MOTOR



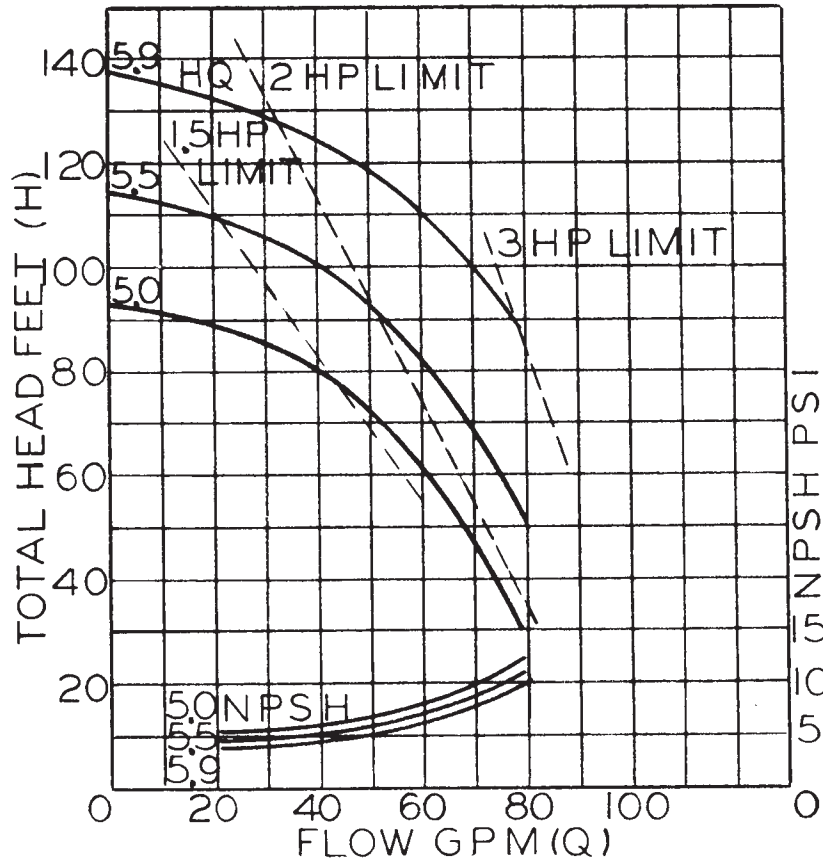
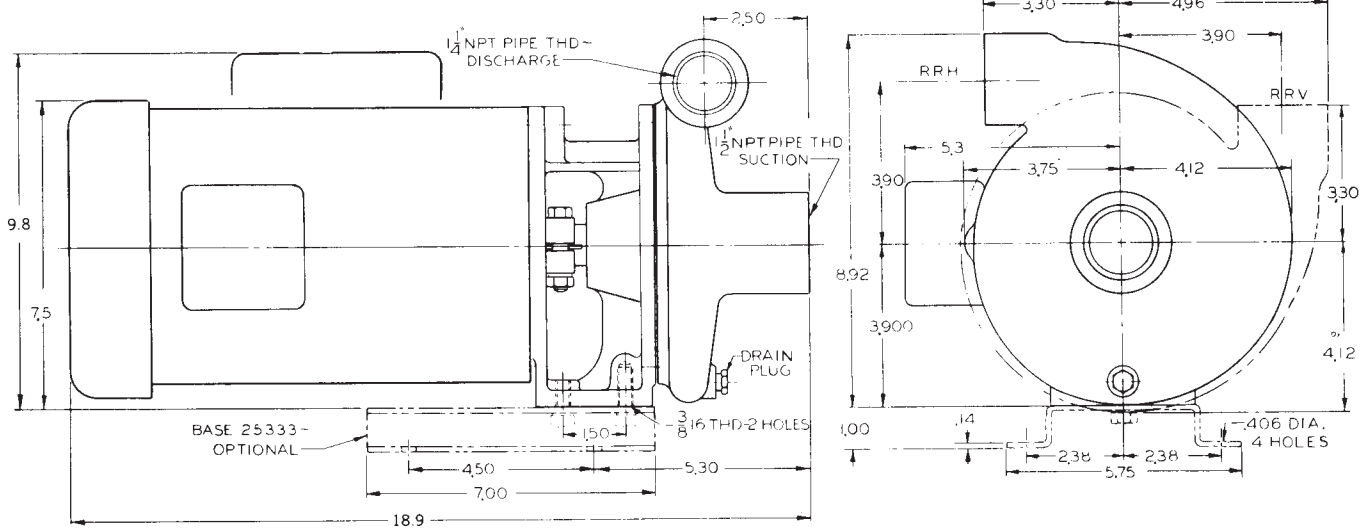
MP PUMPS, INC.

34800 BENNETT • FRASER, MI 48026-1686
(586) 293-8240 • FAX (586) 293-8469
(800) 563-8006 • www.mppumps.com

SERIES 80

1 1/2" X 1 1/4"

HIGH PRESSURE
CENTRIFUGAL
ELECTRIC MOTOR DRIVE



MP PUMPS, INC.

34800 BENNETT • FRASER, MI 48026-1886
(586) 293-8240 • FAX (586) 293-8469
(800) 563-8006 • www.mppumps.com