



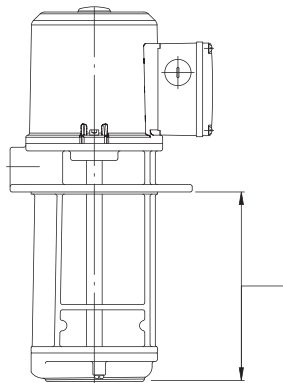
WALRUS®

TPAK Series COOLANT PUMP

ISO 9001



MODEL CODE



TPAK 1 - 18

Installation length [mm]

18 x 10 = 180 mm

Output power

1 = 1/8 HP

2 = 1/4 HP

4 = 1/2 HP

8 = 1 HP

Model name

APPLICATIONS

The TPAK Series coolant pumps are designed for the circulation and spraying of cooling lubricants, especially for machine tools.

This series may use on all machine tools performing Turning, Milling, Drilling, Cutting, Slitting, Grinding etc. operation.

It is suitable to carry liquids such as water, coolant, light oil and other clean, non aggressive fluids.

PUMP CONSTRUCTION

The pump is one-chamber vertical centrifugal pump, co-axial pump/motor design, impellers mounted on extended motor shaft.

MOTOR

Nominal speed : 3420 rpm

Frequency range : 60 Hz

Standard voltages : 3-Phase, 230V / 460V

Enclosure class : IP54

Insulation class : F.

OPERATING LIMITS

Max. flow : 60 GPM

Max. head : 56 ft

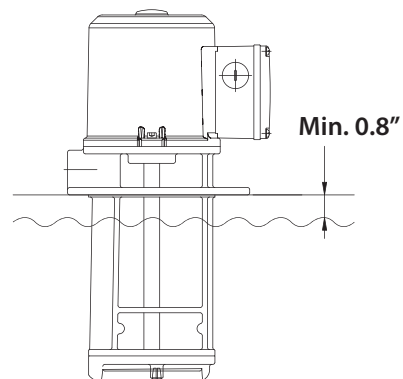
Max. ambient temperature : +104°F

Max. liquid temperature range : +194°F

Max. operating pressure : 142 psi

Maximum liquid level

The maximum liquid level in the installation tank must be 0.8 inch below the top of the tank.



Walrus America Inc

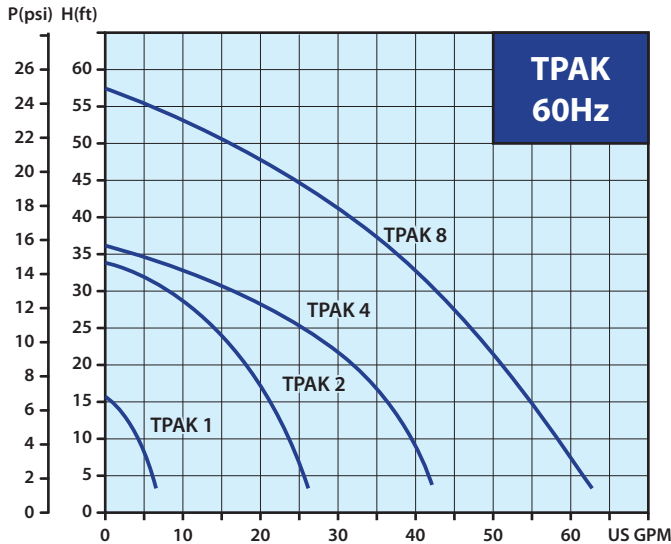




WALRUS®

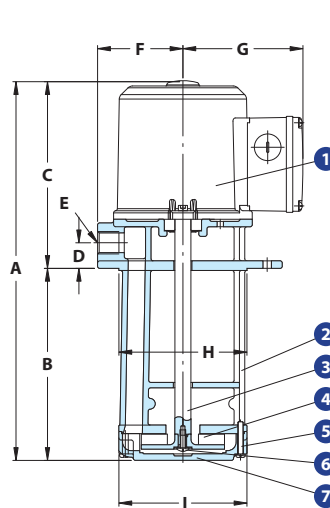
TPAK Series COOLANT PUMP

PERFORMANCE CURVES

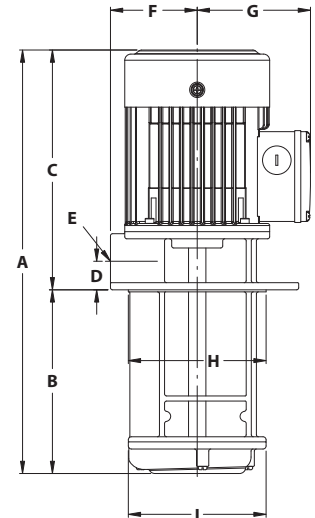


DIMENSIONS:

TPAK 1 / TPAK 2

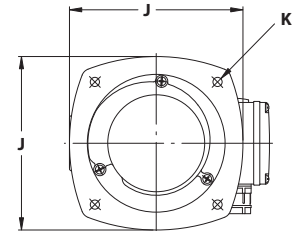
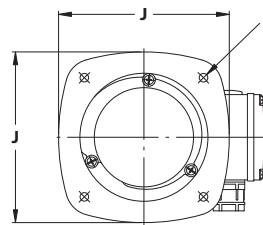


TPAK 4 / TPAK 8



CONSTRUCTION

No.	Part name	Material	
		TPAK 1	TPAK 2 ~ TPAK 8
1	Motor shell	Aluminum alloy	
2	Pump Casing	Cast Iron (FC20)	
3	Shaft	Carbon Steel (S45C)	
4	Impeller	Polyoxymethylene (POM)	
5	Screw	Stainless Steel (SUS 304)	
6	Screw	Stainless Steel (SUS 304)	
7	Pump Cap	Polyamide (PA)	Cast Iron (FC20)



SPECIFICATION, 60Hz 3420rpm

Model	Power (HP)	Phase (Ø)	S.F.	Voltage (V)	Current (A)	DIMENSIONS: (inch)											Net Weight (lbs)
						A	B	C	D	E	F	G	H	I	J	K	
TPAK 1-18	1/8	3Ø	1.0	230 / 460	0.27 / 0.47	13.39	7.09	6.30	0.63	NPT 3/8"	2.48	3.96	Ø3.54	Ø3.54	4.96	4xØ0.31 PCD5.04	12.1
TPAK 2-15	1/4	3Ø	1.6	230 / 460	1.24 / 0.67	12.80	5.91	6.89	0.94	NPT 1/2"	3.15	4.43	Ø4.72	Ø4.72	6.30	4xØ0.31 PCD6.22	20.9
TPAK 2-18	1/4	3Ø	1.6	230 / 460	1.24 / 0.67	13.98	7.09	6.89	0.94	NPT 1/2"	3.15	4.43	Ø4.72	Ø4.72	6.30	4xØ0.31 PCD6.22	22.0
TPAK 2-25	1/4	3Ø	1.6	230 / 460	1.24 / 0.67	16.73	9.84	6.89	0.94	NPT 1/2"	3.15	4.43	Ø4.72	Ø4.72	6.30	4xØ0.31 PCD6.22	23.3
TPAK 4-15	1/2	3Ø	1.3	230 / 460	1.9 / 1.0	15.16	5.91	9.25	1.10	NPT 3/4"	3.35	4.37	Ø5.31	Ø5.31	6.69	4xØ0.35 PCD6.69	24.7
TPAK 4-18	1/2	3Ø	1.3	230 / 460	1.9 / 1.0	16.34	7.09	9.25	1.10	NPT 3/4"	3.35	4.37	Ø5.31	Ø5.31	6.69	4xØ0.35 PCD6.69	26.2
TPAK 4-25	1/2	3Ø	1.3	230 / 460	1.9 / 1.0	19.09	9.84	9.25	1.10	NPT 3/4"	3.35	4.37	Ø5.31	Ø5.31	6.69	4xØ0.35 PCD6.69	28.0
TPAK 8-18	1	3Ø	1.5	230 / 460	4.0 / 2.2	17.95	7.09	10.87	1.14	NPT 1"	3.74	4.37	Ø5.91	Ø5.91	7.48	4xØ0.35 PCD7.28	34.1
TPAK 8-25	1	3Ø	1.5	230 / 460	4.0 / 2.2	20.71	9.84	10.87	1.14	NPT 1"	3.74	4.37	Ø5.91	Ø5.91	7.48	4xØ0.35 PCD7.28	37.7

Walrus America Inc
 9808 Whithorn Drive, Houston, TX 77095
 Phone: (281) 861-7738 Fax: (281) 861-7776
 Web: www.walrusamerica.com

All specifications are subject to change without notice. 000