



WALRUS

MULTISTAGE CENTRIFUGAL PUMP

Immersible Pumps

TPHK 2/4/8/12T 60Hz



Walrus America Inc

ISO 9001 Certified





Applications

The WALRUS TPHK Series is vertical multistage centrifugal pump, designed for industrial use, specially for machine tools. It is suitable to carry fluids such as water, coolant, light oil and other clean, non aggressive matters for:

- Industrial circulation system
- Washing/cleaning system
- Filtration system

Pumps

Submersible vertical multistage centrifugal pump, self-priming, co-axial pump/motor design, impellers mounted on extended motor shaft. Main working parts made by stainless steel.

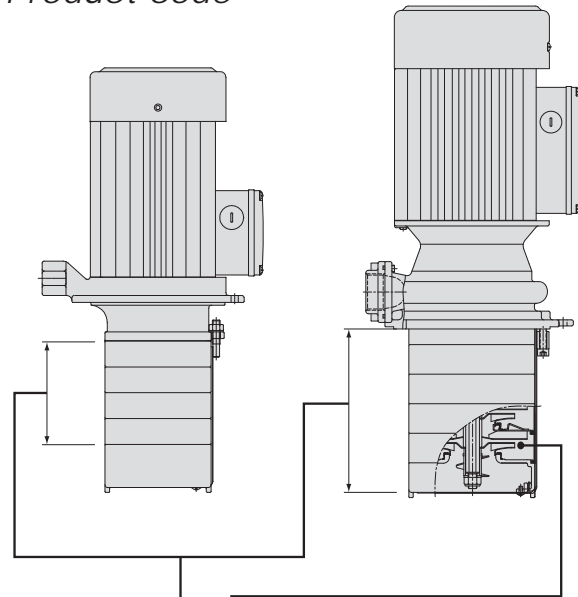
Motors

Nominal speed :3500 rpm at 60Hz
 Standard voltage : 3 phase : 230 / 460V
 Protection class: IP54
 Insulation class: F.

Operating Limits

Ambient temperature :Max. 122°F (50°C)
 Liquid temperature range :32°F (0°C) to 194°F (90°C)
 Flow: 10 GPM to 75 GMP
 Head: 20ft to 280ft
 Operating pressure :Max. 142 psi
 Submerged depth :Min. 2.6"

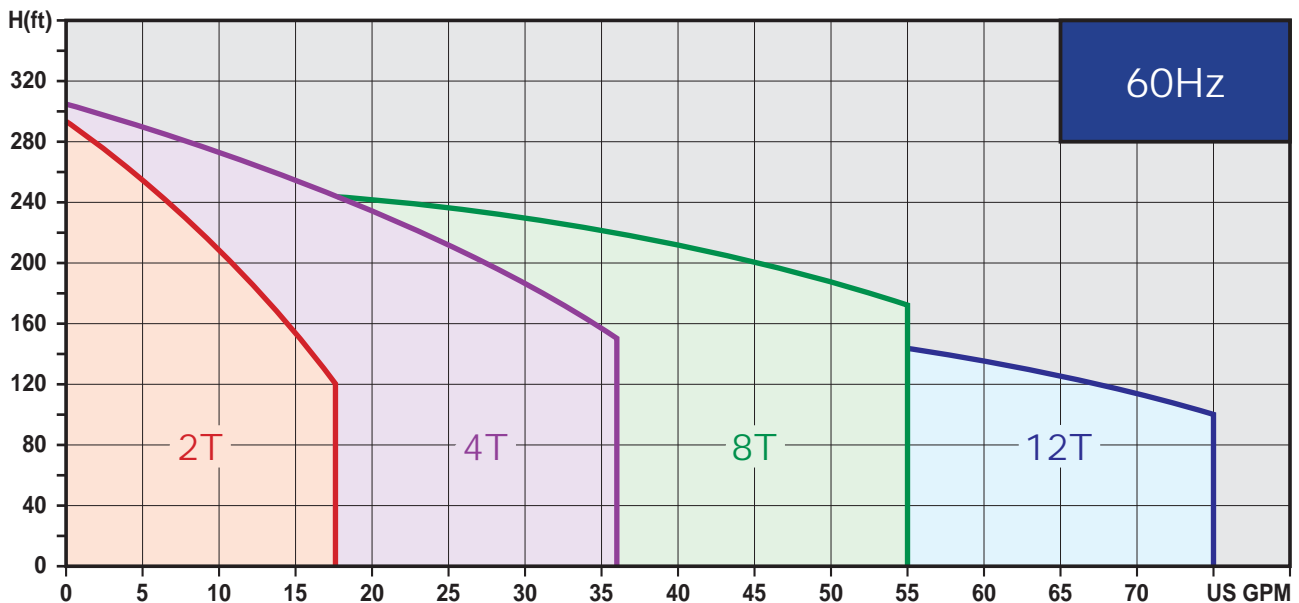
Product code



TPHK 2T ** - 4 S

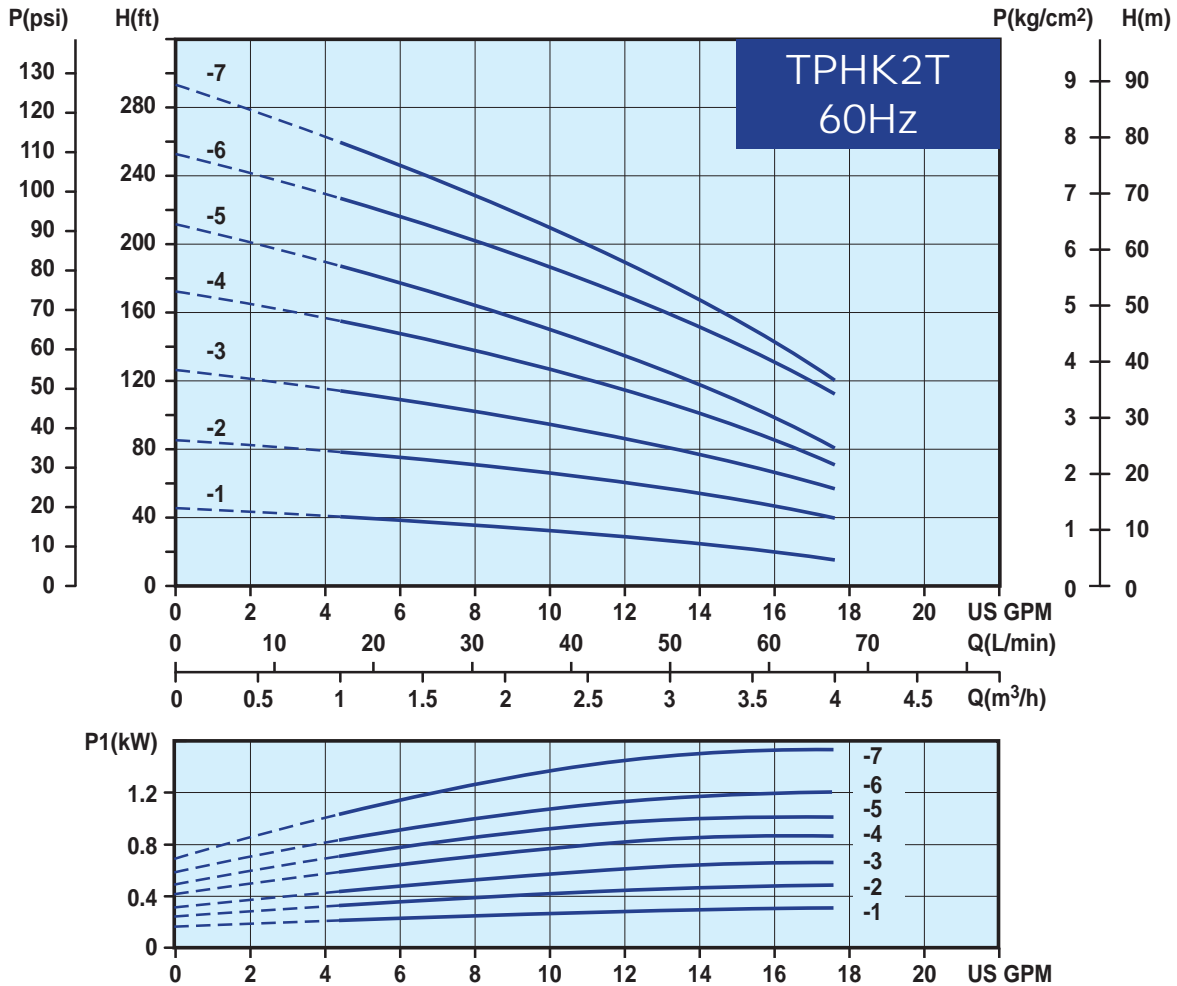
- Stainless steel series
- Number of Impellers
- Number of Stages
- Standard capacity m³/hr
- Model name

Performance curves





Performance curves



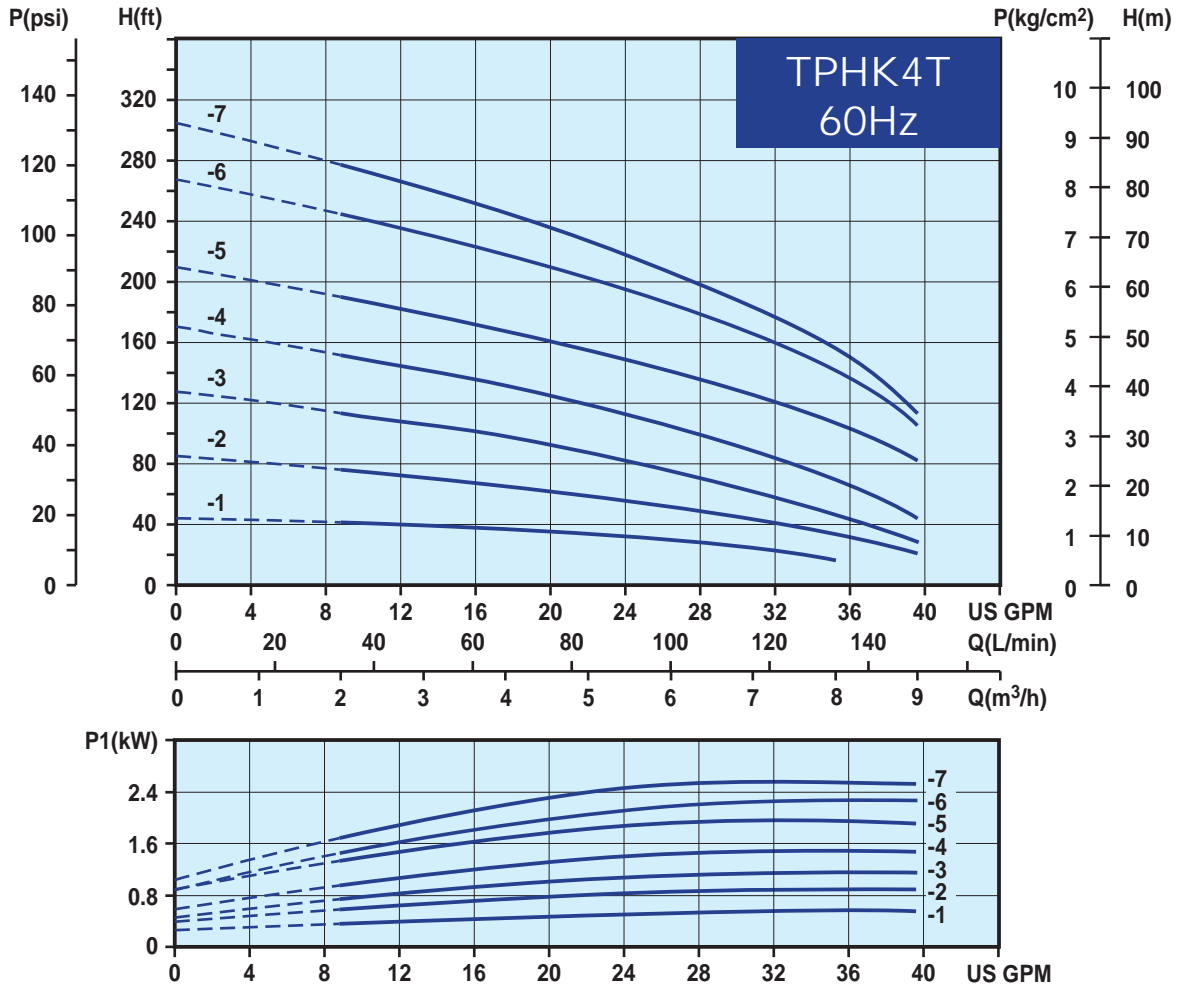
Electrical data, 3Ø 60Hz , 3500rpm

Model	Power (HP)	S.F.	Volts (V)	Ampere (A)
TPHK 2T ** -1	½	1.9	230 / 460	3.1 / 1.6
TPHK 2T ** -2	½	1.9	230 / 460	3.1 / 1.6
TPHK 2T ** -3	½	1.9	230 / 460	3.1 / 1.6
TPHK 2T ** -4	½	1.9	230 / 460	3.1 / 1.6
TPHK 2T ** -5	¾	1.9	230 / 460	4.2 / 2.1
TPHK 2T ** -6	¾	1.9	230 / 460	4.2 / 2.1
TPHK 2T ** -7	1	1.9	230 / 460	5.2 / 2.6

** = Number of Stages, maximum 11 stages.



Performance curves



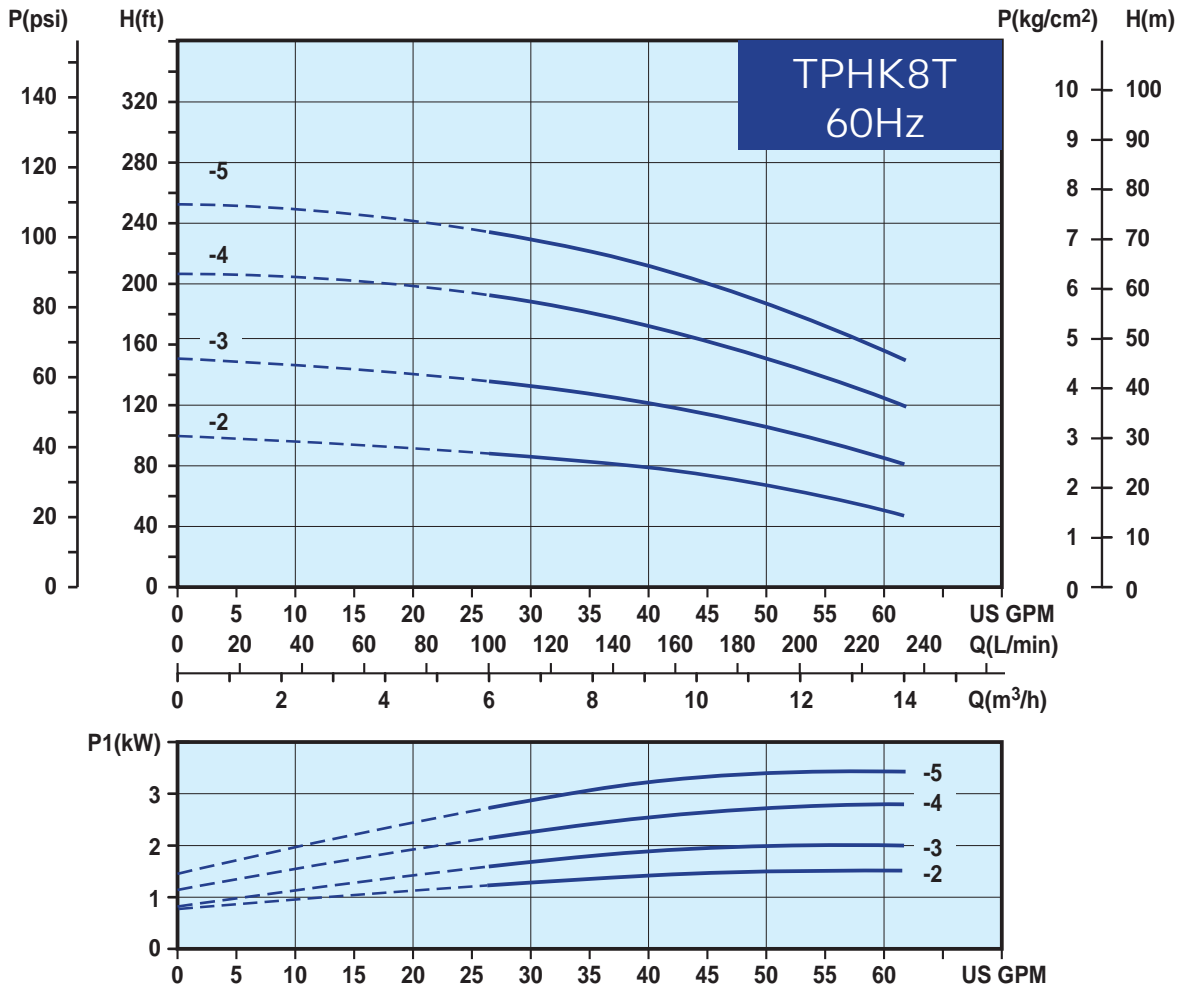
Electrical data, 3Ø 60Hz , 3500rpm

Model	Power (HP)	S.F.	Volts (V)	Ampere (A)
TPHK 4T ** -1	½	1.9	230 / 460	3.1 / 1.6
TPHK 4T ** -2	½	1.9	230 / 460	3.1 / 1.6
TPHK 4T ** -3	¾	1.9	230 / 460	4.2 / 2.1
TPHK 4T ** -4	1	1.9	230 / 460	5.2 / 2.6
TPHK 4T ** -5	1½	1.5	230 / 460	7.4 / 3.7
TPHK 4T ** -6	2	1.9	230 / 460	11.6 / 5.8
TPHK 4T ** -7	2	1.9	230 / 460	11.6 / 5.8

** = Number of Stages, maximum 8 stages.



Performance curves



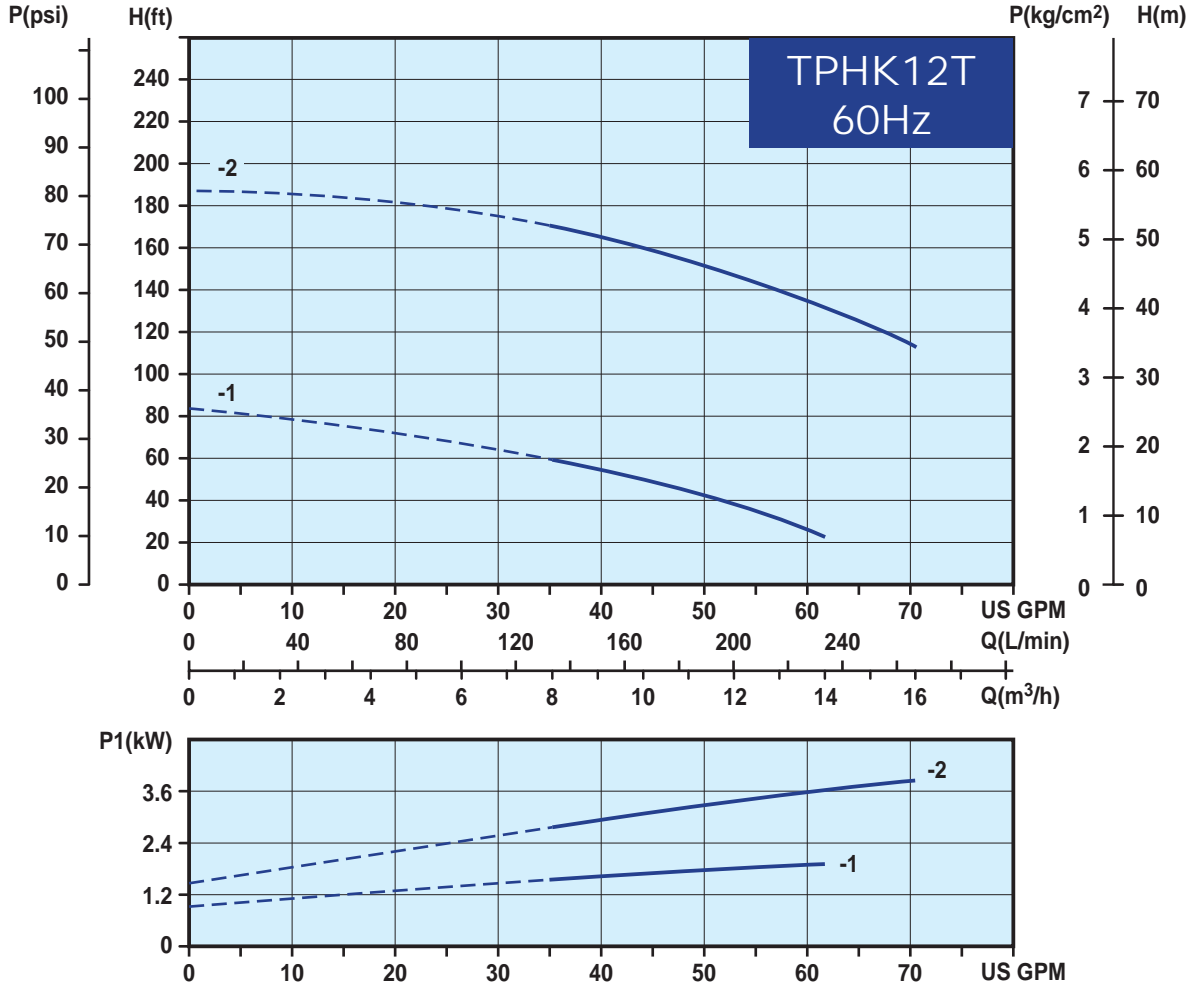
Electrical data, 3Ø 60Hz , 3500rpm

Model	Power (HP)	S.F.	Volts (V)	Ampere (A)
TPHK 8T ** -2	1½	1.6	230 / 460	7.4 / 3.7
TPHK 8T ** -3	1½	1.6	230 / 460	7.4 / 3.7
TPHK 8T ** -4	3	1.5	230 / 460	12.6 / 6.3
TPHK 8T ** -5	3	1.5	230 / 460	12.6 / 6.3

** = Number of Stages, maximum 9 stages.



Performance curves



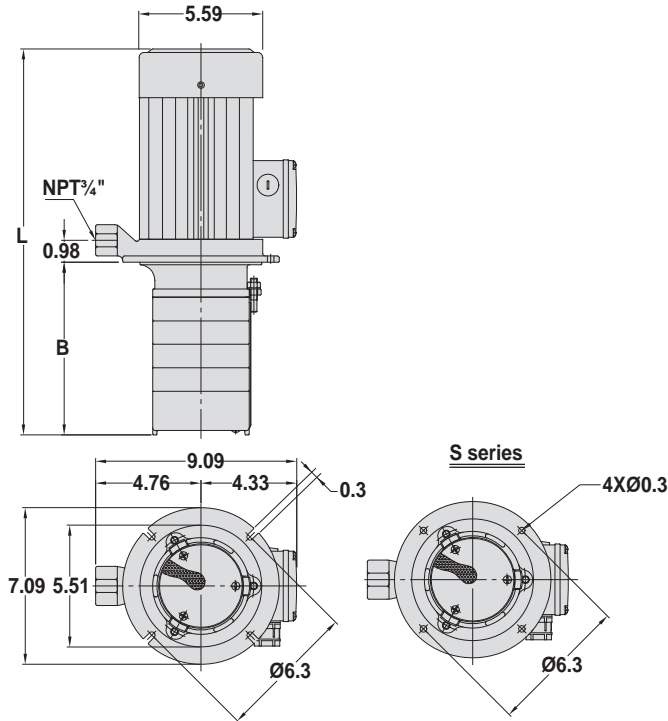
Electrical data, 3Ø 60Hz , 3500rpm

Model	Power (HP)	S.F.	Volts (V)	Ampere (A)
TPHK 12T ** -1	1½	1.6	230 / 460	7.4 / 3.7
TPHK 12T ** -2	3	1.5	230 / 460	12.6 / 6.3

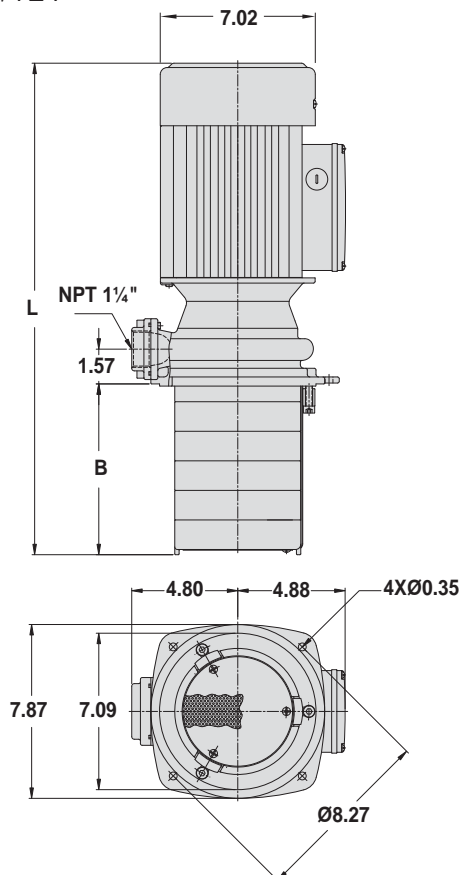
** = Number of Stages, maximum 9 stages.



TPHK 2T/4T



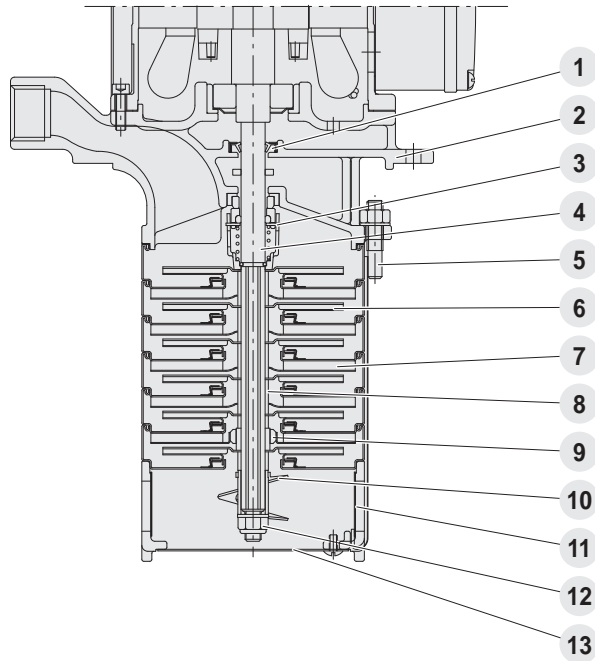
TPHK 8T/12T



Dimensions and Weights

Model	B (in.)	L (in.)	N.W.(lbs)
TPHK 2T 3 -1	5.71	13.78	24.0
TPHK 2T 8 -1	9.25	17.32	26.2
TPHK 2T 3 -2	5.71	13.78	24.5
TPHK 2T 5 -2	7.13	15.20	25.4
TPHK 2T 9 -2	9.96	18.03	27.1
TPHK 2T 3 -3	5.71	13.78	24.7
TPHK 2T 4 -3	6.42	14.49	25.1
TPHK 2T 5 -3	7.13	15.20	25.6
TPHK 2T 6 -3	7.83	15.91	26.0
TPHK 2T 8 -3	9.25	17.32	26.9
TPHK 2T11-3	11.38	19.45	27.8
TPHK 2T 4 -4	6.42	14.49	25.4
TPHK 2T 6 -4	7.83	15.91	26.2
TPHK 2T 5 -5	7.13	16.77	28.0
TPHK 2T 6 -5	7.83	17.48	29.3
TPHK 2T 6 -6	7.83	17.80	29.8
TPHK 2T 8 -6	9.25	19.21	30.6
TPHK 2T 9 -6	9.96	19.92	31.1
TPHK 2T10-6	10.67	20.63	31.3
TPHK 2T11-6	11.38	21.34	31.7
TPHK 2T 7 -7	8.54	18.50	28.7
TPHK 4T 2 -1	5.71	13.78	23.8
TPHK 4T 3 -1	6.77	14.84	24.3
TPHK 4T 2 -2	5.71	13.78	24.3
TPHK 4T 3 -2	6.77	14.84	24.7
TPHK 4T 4 -2	7.83	15.91	25.1
TPHK 4T 6 -2	9.96	18.03	25.6
TPHK 4T 3 -3	6.77	16.42	25.8
TPHK 4T 4 -3	7.83	17.48	26.2
TPHK 4T 5 -3	8.90	18.54	26.7
TPHK 4T 6 -3	9.96	19.61	27.1
TPHK 4T 8 -3	12.09	21.73	28.0
TPHK 4T 4 -4	7.83	17.48	29.3
TPHK 4T 5 -4	8.90	18.54	29.8
TPHK 4T 6 -4	9.96	19.61	30.2
TPHK 4T 5 -5	8.90	18.54	30.6
TPHK 4T 8 -5	12.09	21.73	32.0
TPHK 4T 6 -6	9.96	21.10	31.1
TPHK 4T 8 -6	12.09	23.23	32.2
TPHK 4T 7 -7	11.02	22.17	32.2
TPHK 4T 8 -7	12.09	23.23	32.6
TPHK 8T 6 -2	7.83	22.36	52.9
TPHK 8T 9 -2	11.75	26.28	55.8
TPHK 8T 3 -3	3.76	18.29	50.7
TPHK 8T 6 -3	7.83	22.36	53.6
TPHK 8T 9 -3	11.75	26.28	56.4
TPHK 8T 4 -4	5.12	19.65	59.5
TPHK 8T 6 -4	7.83	22.36	61.7
TPHK 8T 5 -5	6.48	21.00	61.7
TPHK12T 6 -1	7.83	22.36	59.5
TPHK12T 6 -2	7.83	22.36	63.9
TPHK12T 9 -2	11.75	26.28	67.2

Sectional drawing (Shown 2T/4T)



Materials

NO.	Part name	Material	
1	Oil Seal	NBR	
2	Pump Casing	FCD 45	SUS 304
3	Mechanical Seal	Tungsten carbide + Viton	
4	Shaft	SUS 304	
5	Strap	SUS 304	
6	Impeller	SUS 304	
7	Intermediate chamber	SUS 304	
8	Sleeve	SUS 304	
9	Bearing	Tungsten carbide	
10	Priming screw	SUS 304	
11	Suction interconnector	SUS 304	
12	Lock Nut	SUS 316	
13	Filter	SUS 304	



Walrus America Inc
 9808 Whithorn Drive, Houston, TX 77095
 Phone: (281) 861-7738 Fax: (281) 861-7776
 Web: www.walrusamerica.com