



WALRUS®

MULTISTAGE CENTRIFUGAL PUMP

Immersible Pumps

TPK 2T/4T 60Hz



Walrus America Inc
ISO 9001 Certified





Applications

The WALRUS TPK Series are vertical multistage centrifugal pumps, designed for industrial use, specially for machine tools, to carry non-aggressive liquids such as water, coolant, light oil, etc.

- Industrial circulation system
- Washing/cleaning system
- Filtration system

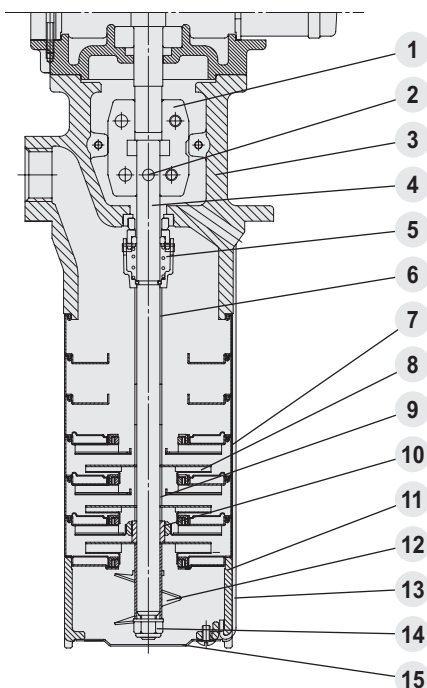
Motors

Nominal speed :3500 rpm at 60Hz
 Standard voltage : 3 phase : 230 / 460V
 Protection class: IP54
 Insulation class: F.

Operating Limits

Ambient temperature :Max. 122°F (50°C)
 Liquid temperature range :32°F(0°C) to 194°F(90°C)
 Flow: 4 GPM to 26 GMP
 Head: 20ft to 210ft
 Operating pressure :Max. 142 psi
 Submerged depth :Min. 2.6"

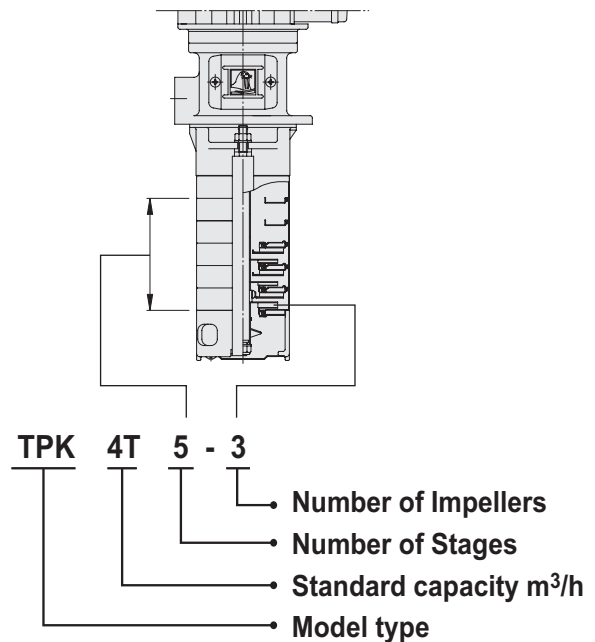
Sectional drawing



Pumps

Immersible vertical multistage centrifugal pump, self-priming, coupling connection between pump and motor, stainless steel construction design ensures corrosion-free operation.

Model code

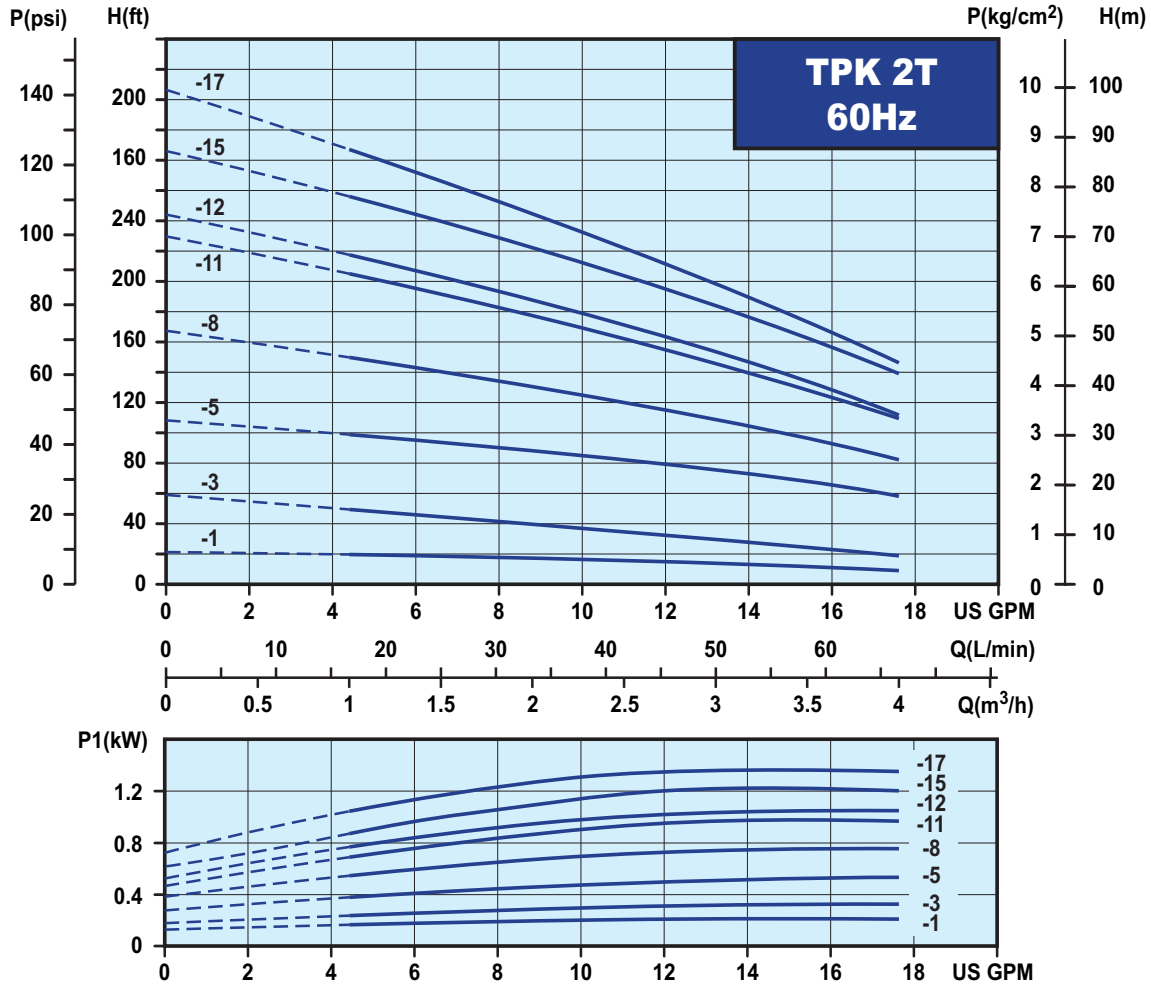


Materials

No.	Part name	Material
1	Coupling	SUS 304
2	Shaft pin	SUS 304
3	Pump head	Cast iron FCD 45
4	Shaft	SUS 304
5	Mechanical Seal	Tungsten Carbide + Viton
6	Sleeve	SUS 304
7	Intermediate chamber	SUS 304
8	Impeller	SUS 304
9	Sleeve (impeller)	SUS 304
10	Bearing ring	Tungsten Carbide
11	Suction intercon-necter	SUS 304
12	Priming screw	SUS 304
13	Strap	SUS 304
14	Lock Nut	SUS 316
15	Filter	SUS 304



Performance curves



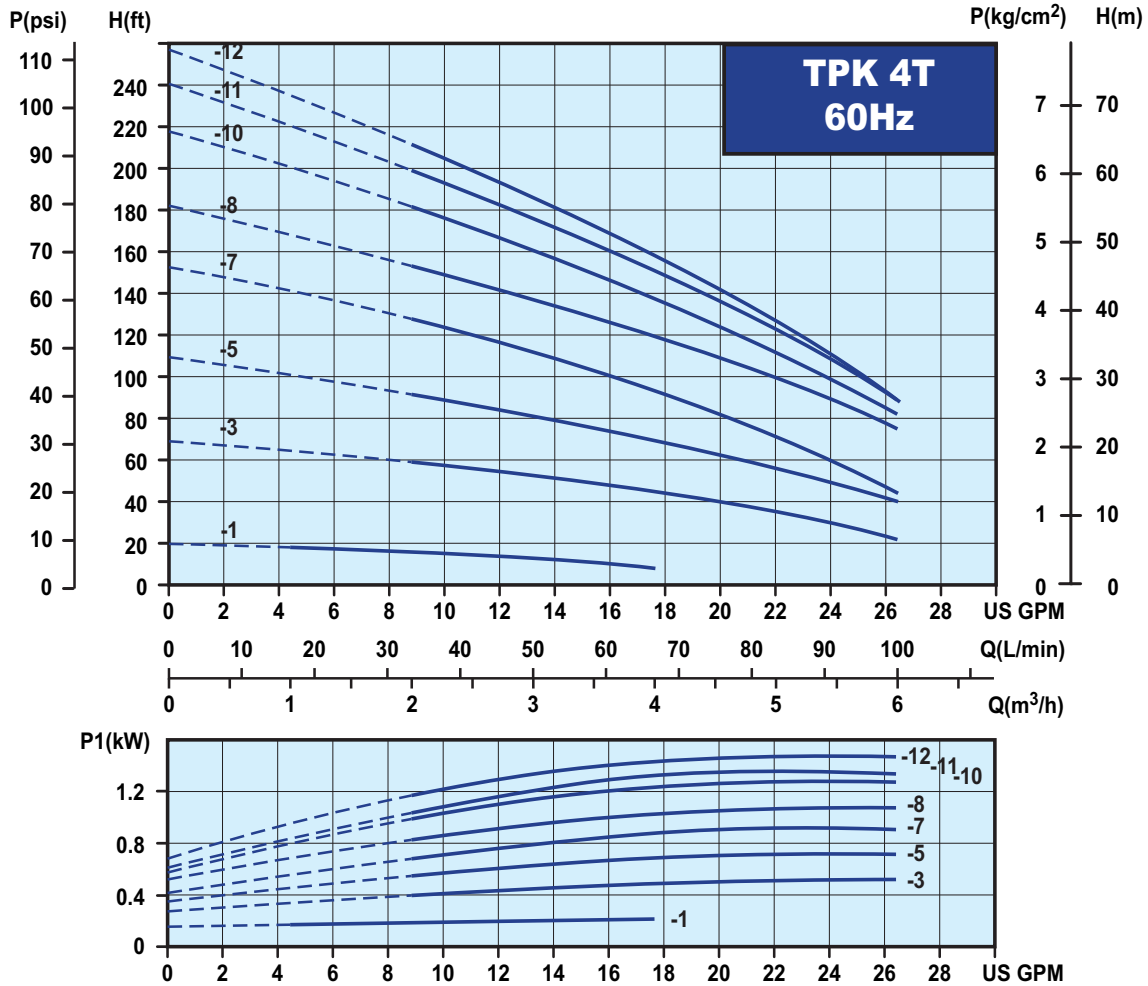
Electrical data, 3Ø 60Hz , 3500rpm

Model	Volts (V)	Power (HP)	Ampere (A)
TPK 2T ** - 1	230 / 460	1/4	1.2 / 0.6
TPK 2T ** - 3	230 / 460	1/4	1.2 / 0.6
TPK 2T ** - 5	230 / 460	1/2	3.2 / 1.6
TPK 2T ** - 8	230 / 460	1/2	3.2 / 1.6
TPK 2T ** -11	230 / 460	3/4	4.8 / 2.4
TPK 2T ** -12	230 / 460	3/4	4.8 / 2.4
TPK 2T ** -15	230 / 460	1	5.2 / 2.6
TPK 2T ** -17	230 / 460	1	5.2 / 2.6

** = Number of Stages, maximum 19 stages.



Performance curves



Electrical data, 3Ø 60Hz, 3500rpm

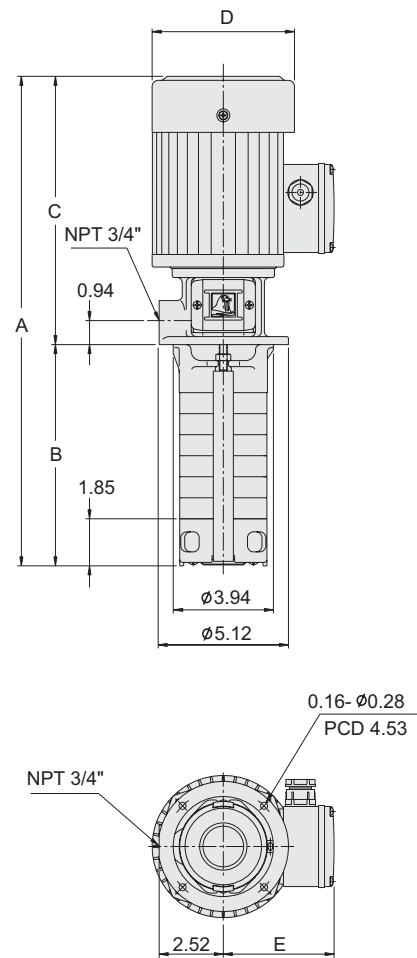
Model	Volts (V)	Power (HP)	Ampere (A)
TPK 4T ** - 1	230 / 460	1/4	1.2 / 0.6
TPK 4T ** - 3	230 / 460	1/2	3.2 / 1.6
TPK 4T ** - 5	230 / 460	1/2	3.2 / 1.6
TPK 4T ** - 7	230 / 460	3/4	4.8 / 2.4
TPK 4T ** - 8	230 / 460	3/4	4.8 / 2.4
TPK 4T ** -10	230 / 460	3/4	4.8 / 2.4
TPK 4T ** -11	230 / 460	1	5.2 / 2.6
TPK 4T ** -12	230 / 460	1	5.2 / 2.6

** = Number of Stages, maximum 19 stages.



Dimensions and weights

Model	A (in.)	B (in.)	C (in.)	D (in.)	E (in.)	N.W.(lb)
TPK2T 5 - 1	18.90	8.74	10.16	4.84	3.90	19.18
TPK2T 3 - 3	17.24	7.09	10.16	4.84	3.90	19.18
TPK2T 5 - 3	18.90	8.74	10.16	4.84	3.90	19.62
TPK2T 8 - 3	21.38	11.22	10.16	4.84	3.90	20.28
TPK2T 11- 3	23.86	13.70	10.16	4.84	3.90	21.16
TPK2T 5 - 5	19.29	8.74	10.55	5.59	4.37	26.68
TPK2T 8 - 5	21.77	11.22	10.55	5.59	4.37	27.34
TPK2T 10- 5	23.43	12.87	10.55	5.59	4.37	27.78
TPK2T 11- 5	24.25	13.70	10.55	5.59	4.37	28.00
TPK2T 15- 5	27.56	17.01	10.55	5.59	4.37	28.66
TPK2T 8 - 8	21.77	11.22	10.55	5.59	4.37	28.00
TPK2T 11- 8	24.25	13.70	10.55	5.59	4.37	28.66
TPK2T 11-11	25.83	13.70	12.13	5.59	4.37	31.53
TPK2T 15-12	29.13	17.01	12.13	5.59	4.37	31.97
TPK2T 15-15	29.13	17.01	12.13	5.59	4.37	33.07
TPK2T 19-15	32.44	20.31	12.13	5.59	4.37	33.95
TPK2T 19-17	32.44	20.31	12.13	5.59	4.37	34.83
TPK4T 3 - 1	17.24	7.09	10.16	4.84	3.90	18.52
TPK4T 5 - 1	18.90	8.74	10.16	4.84	3.90	19.18
TPK4T 3 - 3	17.64	7.09	10.55	5.59	4.37	26.01
TPK4T 5 - 3	19.29	8.74	10.55	5.59	4.37	26.46
TPK4T 8 - 3	21.77	11.22	10.55	5.59	4.37	27.12
TPK4T 19- 3	30.87	20.31	10.55	5.59	4.37	29.54
TPK4T 5 - 5	19.29	8.74	10.55	5.59	4.37	26.68
TPK4T 8 - 5	21.77	11.22	10.55	5.59	4.37	27.34
TPK4T 11- 5	24.25	13.70	10.55	5.59	4.37	28.00
TPK4T 15- 5	27.56	17.01	10.55	5.59	4.37	28.66
TPK4T 19- 5	30.87	20.31	10.55	5.59	4.37	29.32
TPK4T 19- 7	32.44	20.31	12.13	5.59	4.37	32.63
TPK4T 8 - 8	23.35	11.22	12.13	5.59	4.37	30.42
TPK4T 11- 8	25.83	13.70	12.13	5.59	4.37	31.09
TPK4T 15- 8	29.13	17.01	12.13	5.59	4.37	31.75
TPK4T 19- 8	32.44	20.31	12.13	5.59	4.37	32.63
TPK4T 11-10	25.83	13.70	12.13	5.59	4.37	31.31
TPK4T 15-10	29.13	17.01	12.13	5.59	4.37	31.97
TPK4T 19-10	32.44	20.31	12.13	5.59	4.37	32.85
TPK4T 11-11	25.83	13.70	12.13	5.59	4.37	31.53
TPK4T 15-12	29.13	17.01	12.13	5.59	4.37	32.19
TPK4T 19-12	32.44	20.31	12.13	5.59	4.37	32.63





Walrus America Inc

9808 Whithorn Drive, Houston, TX 77095
Phone: (281) 861-7738 Fax: (281) 861-7776
Web: www.walrusamerica.com