

# 2" METALLIC PUMPS

The 2" (51 mm) Air Operated Double Diaphragm Pumps made of cast metal can reach a flow rate of up to 172 gal/min (650 l/min) and they offer a wide range of construction materials and porting configurations. The pump design ensures high abrasion resistance when pumping abrasive media and low flow resistance. Opposite inlet and outlet ports as standard. The discharge and inlet manifolds can rotate 180° for maximum pump installation versatility. These pumps are often used for transferring, filling, recirculating and batch dispensing in a variety of industries.



Non contractual pictures.

## PUMP NOMENCLATURE

Example: **UP20A-BSS-TTZ**

UX20X		XXX			XXX		
PUMP TYPE	AIR BODY	HOUSINGS		WETTED PARTS			
1 Pump Type & Size	2 Central Body & Air Chambers	3 Fluid Ports / Location	4 Fluid Chambers & Manifolds	5 Hardware Bolts	6 Valve Seats	7 Valve Balls	8 Diaphragms Type & Material
<b>UP20</b> Universal Pump (Bolted)	<b>ATEX Certified</b> <b>A*</b> = Aluminum <b>L*</b> = Conductive polypropylene with Stainless Steel air chambers	<b>B</b> = 2" BSP Threaded Ports / Center horizontal <b>C</b> = 2" ANSI/ DIN Flanged Ports / Center Horizontal <b>N</b> = 2" NPTF Threaded Ports / Center Horizontal	<b>ATEX Certified</b> <b>A*</b> = Aluminum <b>F*</b> = Ductile Iron <b>S*</b> = Stainless Steel	<b>C</b> = Carbon Steel <b>S</b> = Stainless Steel	<b>A</b> = Aluminum <b>D</b> = AISI 440 Hardened Stainless Steel <b>H</b> = Hytrel® <b>M</b> = Santoprene® <b>N</b> = Nitrile (Buna-N) <b>S</b> = AISI 316 Stainless Steel <b>T</b> = PTFE (Teflon®)	<b>H</b> = Hytrel® <b>M</b> = Santoprene® <b>N</b> = Nitrile (Buna-N) <b>S</b> = AISI 316 Stainless Steel <b>T</b> = PTFE (Teflon®) <b>V</b> = FKM (Viton®)	<b>Conventional</b> <b>A</b> = Santoprene® <b>C</b> = Hytrel® <b>G</b> = Nitrile (Buna-N) <b>V</b> = FKM (Viton®)  <b>Two-piece</b> <b>Z</b> = PTFE(Teflon® with Santoprene backer)  <b>Overmolded</b> <b>H</b> = Hytrel® <b>M</b> = Santoprene® <b>N</b> = Nitrile (Buna N) <b>T</b> = PTFE / EPDM (Bonded)

\* **ATEX Certified pumps** for use in hazardous locations ATEX Group II 2GDx.

Hytrel® is a registered trademark of the DuPont Company, Viton® & Teflon® of the Chemours Company and Santoprene® of the Monsanto Company, licensed for Advanced Elastomer Systems, L.P. Kynar® is a registered trademark of Arkema, Inc.



## MAIN APPLICATIONS

- CERAMIC & PORCELAIN
- PAINT & VARNISH INDUSTRY
- OIL & GAS / PETROCHEMICAL
- WASTE WATER / WATER TREATMENT
- MARINE & SHIPBUILDING
- FILTER PRESS
- MINING & CONSTRUCTION
- CHEMICAL / PROCESSING
- PULP AND PAPER / CARDBOARD

## TECHNICAL DATA

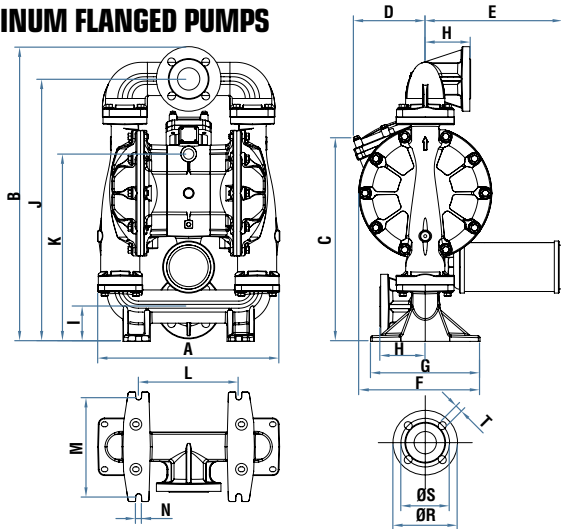
## UP20 METALLIC PUMPS

Pressure ratio	1:1
Maximum free delivery	172 US gal/min (650 l/min)
Air pressure range	20 to 120 psi (1,5 to 8 bar)
Solids in suspension, max. size	1/4" (6,4 mm)
Max dry suction lift	16' ( 5 m)
Max wet suction lift	26' (8 m)
Displacement per cycle*	1.2 gal (4,5 l)
Fluid inlet/outlet ports (Female) (Female)	2" NPT (F) Threaded 2" BSP (F) Threaded 2" ANSI/DIN Flanged
Air inlet port (Female)	3/4" NPT (F)
Air exhaust port (Female)	1 1/2" NPT (F)
Sound level	85 dB (A) @ 50 cycles/min @ 70 psi
Weight	<b>Threaded</b> <b>Flanged</b>
Aluminum version	101 lb (46 kg)                      106 lb (48 kg)
Ductile Iron version	163 lb (74 kg)                      172 lb (78 kg)
Stainless Steel version	168 lb (76 kg)                      181 lb (82 kg)

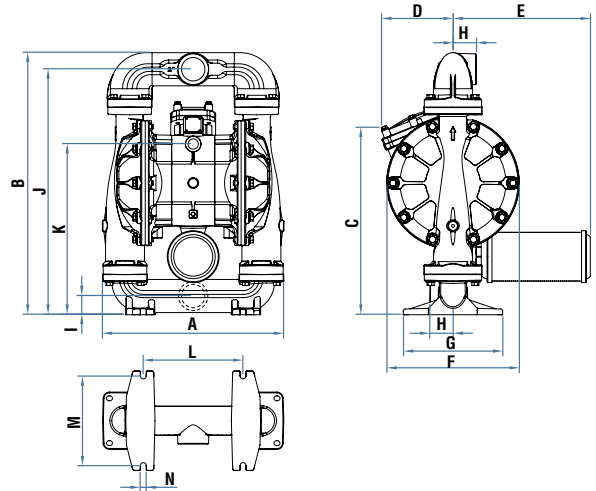
\* Delivery per cycle depends on the diaphragms material, air inlet pressure and fluid viscosity.

# 2" (51 mm) METALLIC PUMPS: DIMENSIONS AND PERFORMANCE CHARTS

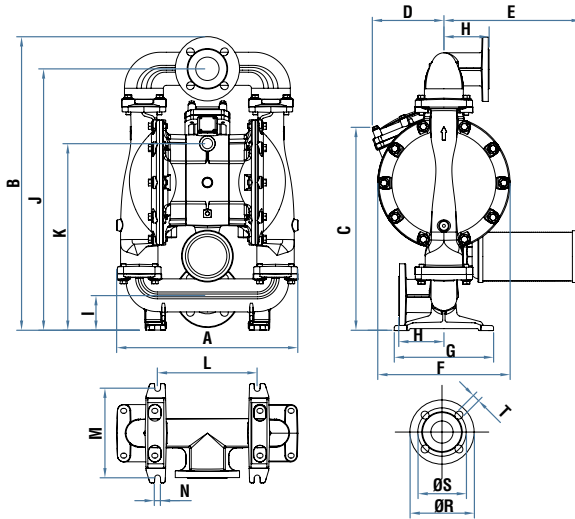
## UP20 ALUMINUM FLANGED PUMPS



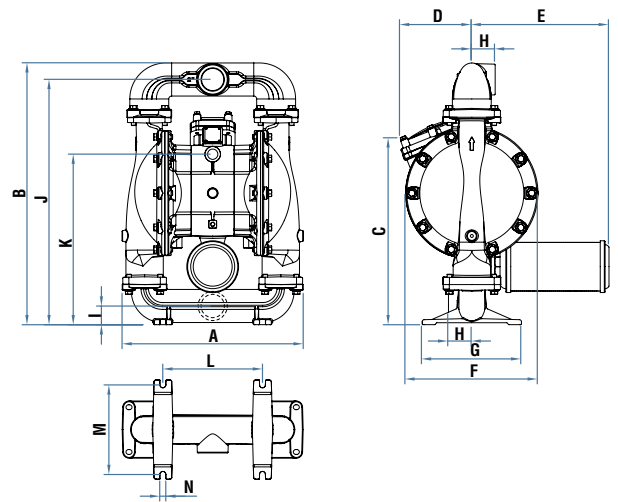
## UP20 ALUMINUM THREADED PUMPS



## UP20 STAINLESS STEEL/IRON FLANGED PUMPS



## UP20 STAINLESS STEEL/IRON THREADED PUMPS

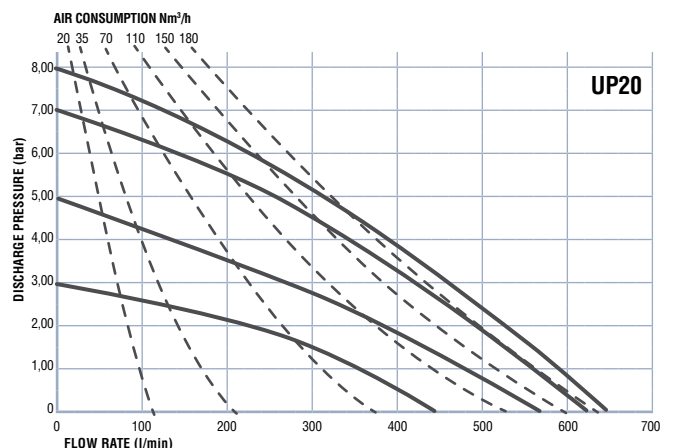
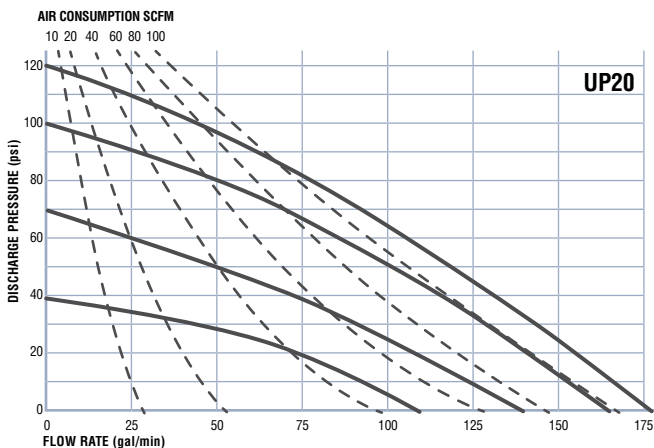


### DIMENSIONS (inches)

	A	B	C	D	E	F	G	H	I	J	K	L	M	N	R	S	T
UP20 FLANGED PUMP	18 5/16	29 11/16	9 7/8	7 1/4	13 57/64	13 25/64	10 3/64	4 9/16	3 1/2	26 27/64	18 55/64	10 5/64	9 1/16	19/32	6 1/2	4 3/4-4 59/64	3/4"
UP20 THREADED PUMP	18 5/16	26 29/64	18 57/64	7 1/4	13 57/64	13 25/64	10 3/64	2 23/64	1 57/64	24 51/64	17 1/4	10 5/64	9 1/16	19/32	-	-	-

### DIMENSIONS (mm)

	A	B	C	D	E	F	G	H	I	J	K	L	M	N	R	S	T
UP20 FLANGED PUMP	465	754	251	184	353	340	255	116	89	671	479	256	230	15	165	120,6-125	19
UP20 THREADED PUMP	465	672	480	184	353	340	255	60	48	630	438	256	230	15	-	-	-



Performance charts with water at room temperature (70 °F - 20 °C)