

3" METALLIC PUMPS

The 3" (76 mm) Air Operated Double Diaphragm Pumps made of cast metal can reach a flow rate of up to 264 gal/min (1.000 l/min) and they offer a wide range of construction materials and porting configurations. The pump design ensures high abrasion resistance when pumping abrasive media and low flow resistance. Opposite inlet and outlet ports as standard. The discharge and inlet manifolds can rotate 180° for maximum pump installation versatility. These pumps are often used for transferring, filling and batch dispensing in a variety of industries.



Non contractual picture.

MAIN APPLICATIONS

- CERAMIC & PORCELAIN
- PAINT & VARNISH INDUSTRY
- OIL & GAS / PETROCHEMICAL
- WASTE WATER / WATER TREATMENT
- MARINE & SHIPBUILDING
- FILTER PRESS
- MINING & CONSTRUCTION
- CHEMICAL / PROCESSING
- PULP AND PAPER / CARDBOARD

TECHNICAL DATA

UP30 METALLIC PUMPS

Pressure ratio	1:1	
Maximum free delivery	264 gal/min (1.000 l/min)	
Air pressure range	20 to 120 psi (1,5 to 8 bar)	
Solids in suspension, Max. size	1/2" (12,7 mm)	
Max dry suction lift	19.7' (6 m)	
Max wet suction lift	26' (8 m)	
Displacement per cycle*	2.6 gal (10 l)	
Fluid inlet/outlet ports (Female)	3" NPT (F) Threaded 3" BSP (F) Threaded 3" ANSI/DIN Flanged	
Air inlet port (Female)	3/4" NPT (F)	
Air exhaust port (Female)	1 1/2" NPT (F)	
Sound level	83 dB (A) @50 cycles/min @70 psi	
Weight	Threaded	Flanged
Aluminum version	141 lb (64 kg)	156.5 lb (71 kg)
Stainless Steel version	260 lb (118 kg)	275.6 lb (125 kg)

* Delivery per cycle depends on the diaphragms material, air inlet pressure and fluid viscosity.

PUMP NOMENCLATURE

Example: **UP30A-BAC-NNG**

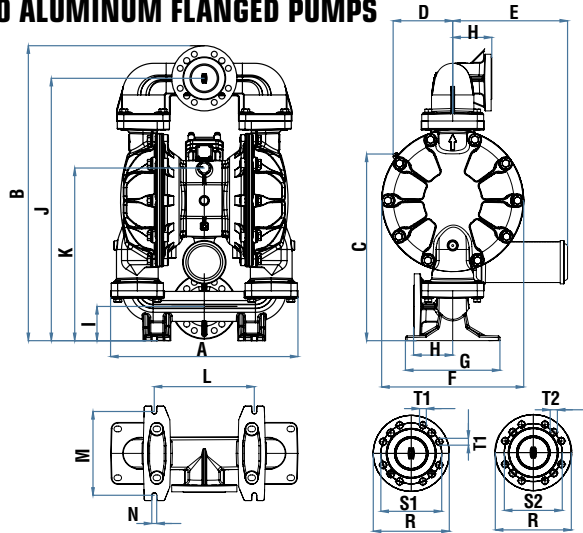
UX30X		XXX			XXX		
PUMP TYPE	AIR BODY	HOUSINGS		WETTED PARTS			
1 Pump Type & Size	2 Central Body & Air Chambers	3 Fluid Ports / Location	4 Fluid Chambers & Manifolds	5 Hardware Bolts	6 Valve Seats	7 Valve Balls	8 Diaphragms Type & Material
UP30 Universal Pump (Bolted)	ATEX Certified A* = Aluminum	B = 3" BSP Threaded Ports / Center Horizontal C = 3" ANSI/ DIN Flanged Ports / Center Horizontal N = 3" NPTF Threaded Ports / Center Horizontal	ATEX Certified A* = Aluminum S* = Stainless Steel	C = Carbon Steel S = Stainless Steel	A = Aluminum D = AISI 440 Hardened Stainless Steel H = Hytrel® M = Santoprene® N = Nitrile (Buna-N) S = AISI 316 Stainless Steel T = PTFE (Teflon®)	H = Hytrel® M = Santoprene® N = Nitrile (Buna-N) S = Stainless Steel 316 T = PTFE (Teflon®) V = FKM (Viton®)	Conventional A = Santoprene® C = Hytrel® G = Nitrile (Buna-N) V = FKM (Viton®) Two-piece Z = PTFE (Teflon®) with Santoprene® backer

* **ATEX Certified pumps** for use in hazardous locations ATEX Group II 2GDx.

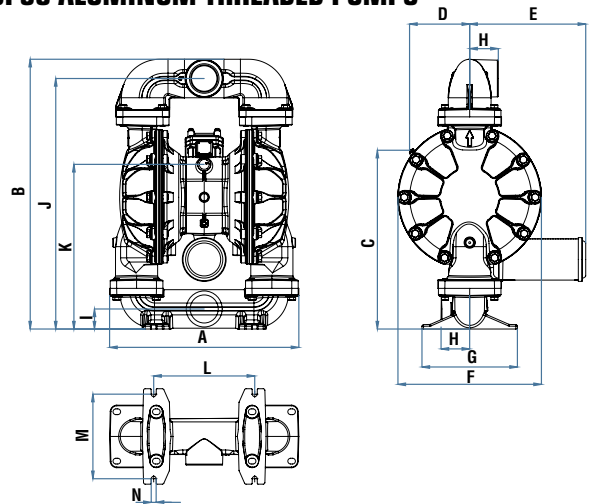
Hytrel® is a registered trademark of the DuPont Company, Viton® & Teflon® of the Chemours Company and Santoprene® of the Monsanto Company, licensed for Advanced Elastomer Systems, L.P. Kynar® is a registered trademark of Arkema, Inc.

3" (76 mm) METALLIC PUMPS: DIMENSIONS AND PERFORMANCE CHARTS

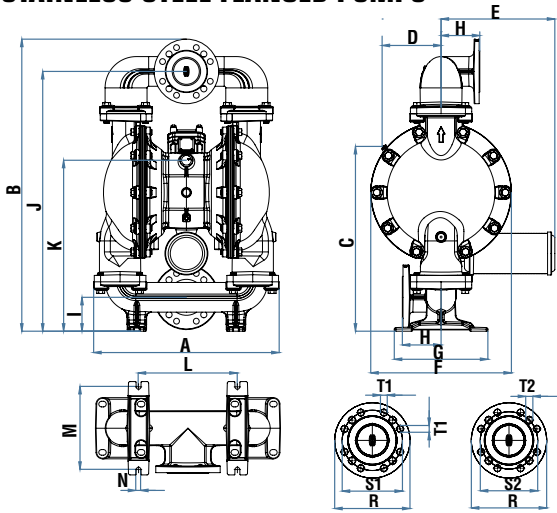
UP30 ALUMINUM FLANGED PUMPS



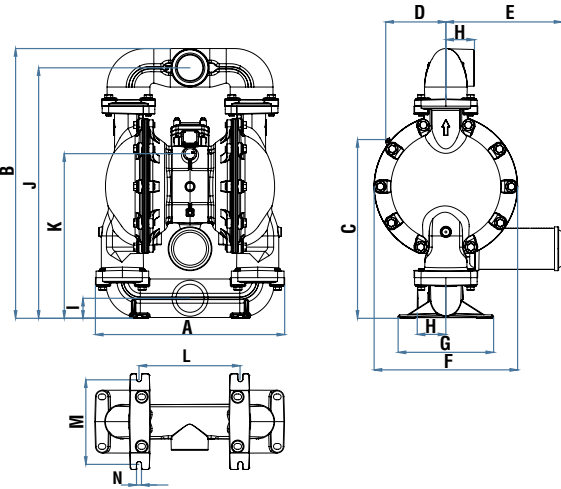
UP30 ALUMINUM THREADED PUMPS



UP30 STAINLESS STEEL FLANGED PUMPS

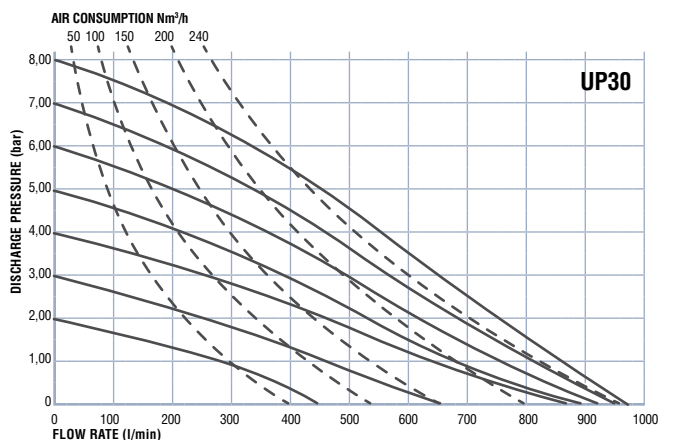
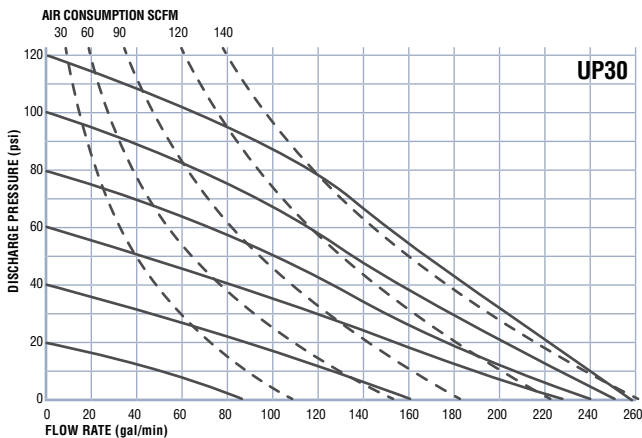


UP30 STAINLESS STEEL THREADED PUMPS



DIMENSIONS (inches)	A	B	C	D	E	F	G	H	I	J	K	L	M	N	R	S1 (DIN)	S2 (ANSI)	T1 (DIN)	T2 (ANSI)
UP30 FLANGED PUMP	21 105/64	35 5/8	22 51/64	7 7/32	13 57/64	17 11/64	11 27/64	5 33/64	4 5/32	31 45/64	21 3/32	12 3/32	10 1/8	19/32	7 7/8	6 5/16	6	53/64	53/64
UP30 THREADED PUMP	21 105/64	32 9/32	21 25/64	7 7/32	13 57/64	17 11/64	11 27/64	3 7/16	2 13/32	29 31/32	19 11/16	12 3/32	10 1/8	19/32	-	-	-	-	-

DIMENSIONS (mm)	A	B	C	D	E	F	G	H	I	J	K	L	M	N	R	S1 (DIN)	S2 (ANSI)	T1 (DIN)	T2 (ANSI)
UP30 FLANGED PUMP	575	905	579	183	353	436	290	140	105	805	536	307	257	15	200	160	152,4	21	21
UP30 THREADED PUMP	575	820	543	183	353	436	290	87	61	761	500	307	257	15	-	-	-	-	-



Performance charts with water at room temperature (70 °F - 20 °C)